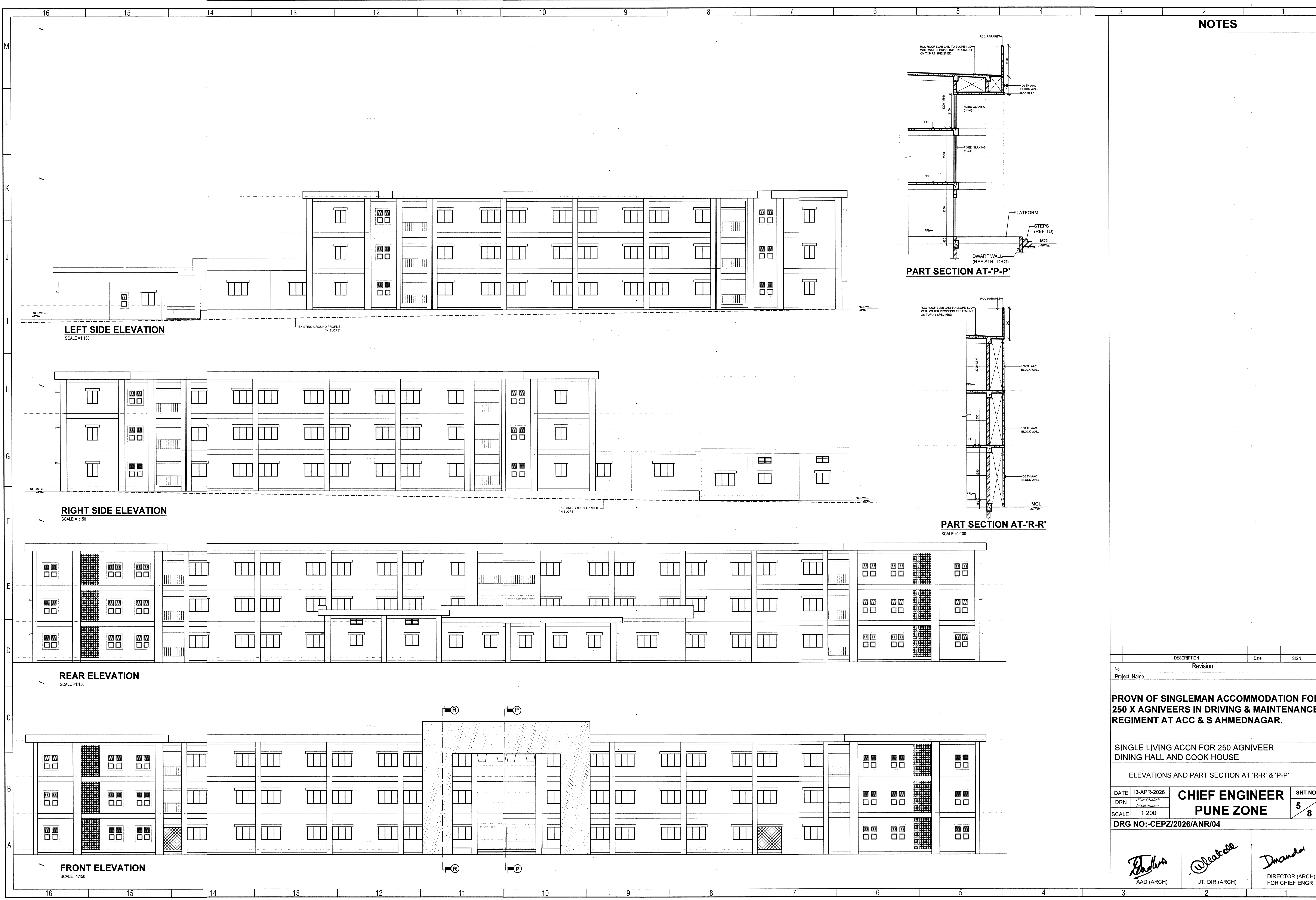
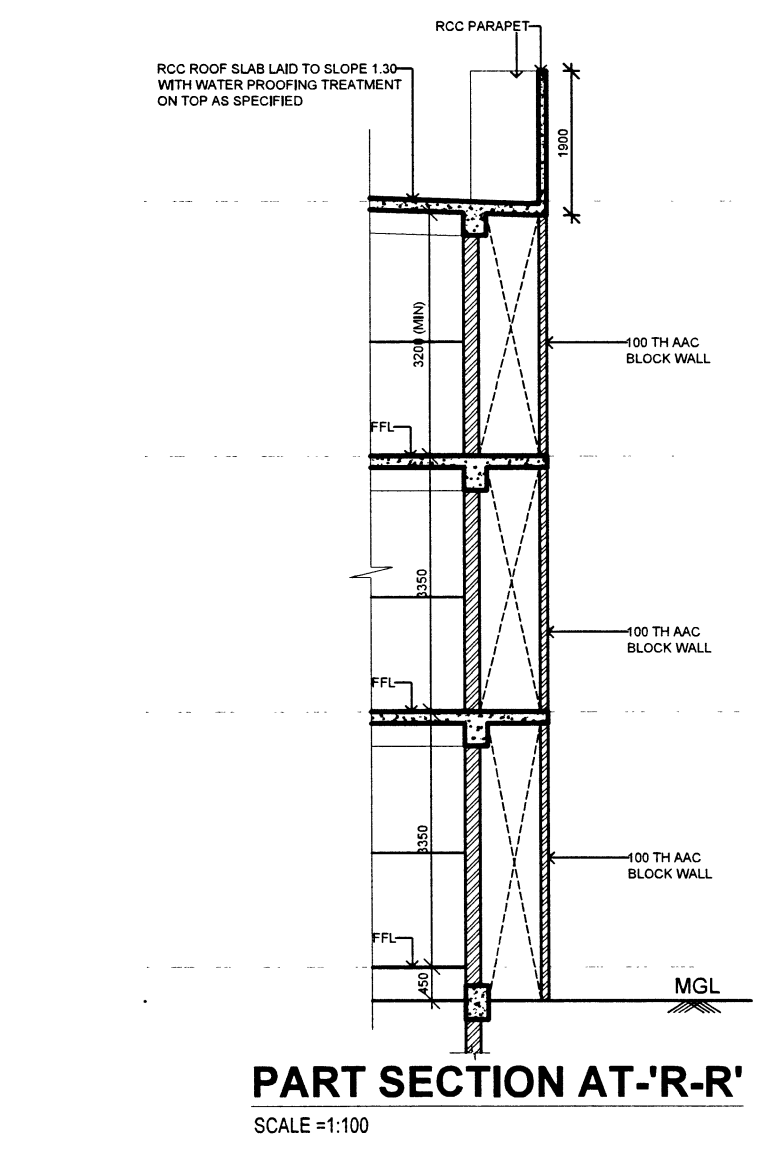
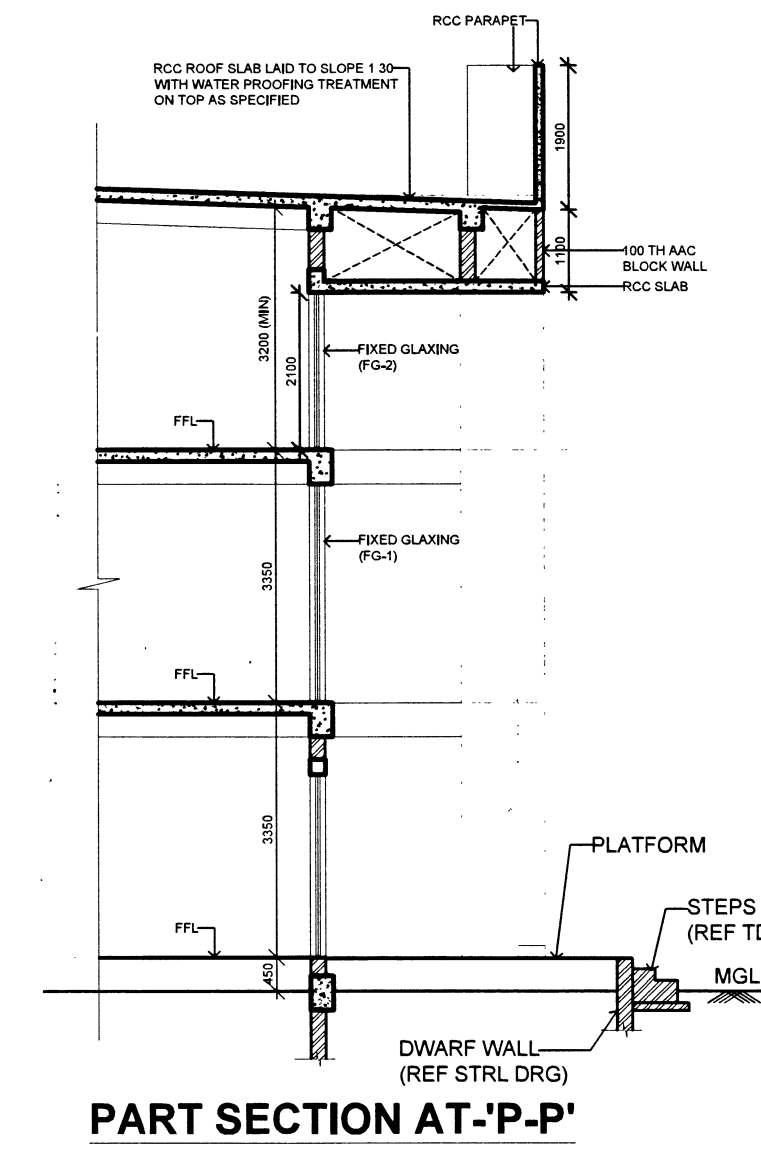


NOTES

1. FOR NOTES REFER TO DRG No. CEPZ/2024/TD/03, SHT No. 1/1.
2. DRAPERY ROD (AS SPECIFIED) TO BE PROVIDED TO ALL DOOR, WINDOWS, TO ALL ROOMS EXCEPT FOR FOLLOWING ROOMS/SPACE, UNLESS SPECIFIED.
- * TOILET INCLUDING WC, BATH, KITCHEN, STORE ROOMS.

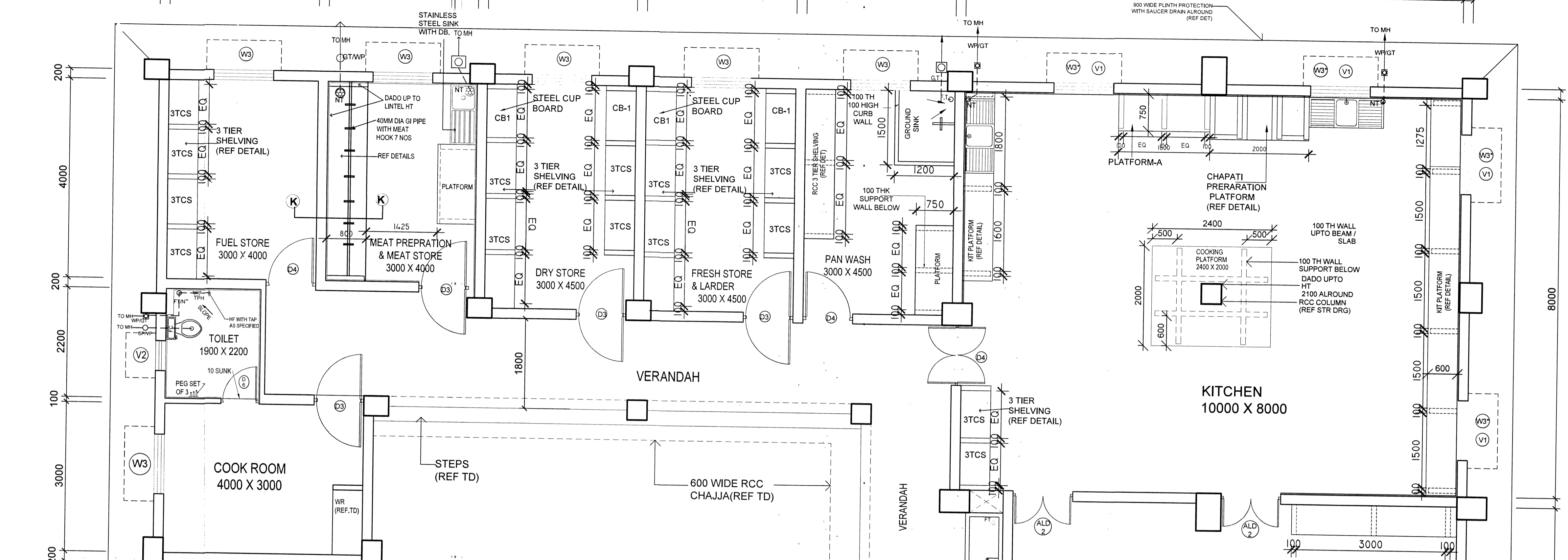
DESCRIPTION	Date	SIGN	
Revision			
Project Name			
PROVN OF SINGLEMAN ACCOMMODATION FOR C 250 X AGNIVEERS IN DRIVING & MAINTNANCE REGIMENT AT ACC & S AHMEDNAGAR.			
SINGLE LIVING ACCN FOR 250 AGNIVEER, DINING HALL AND COOK HOUSE			
SECOND FLOOR PLAN & ROOF PLAN			
DATE	13-APR-2026	CHIEF ENGINEER PUNE ZONE	SHT NO 3 8
DRN	1:200		
SCALE	1:200	DRG NO:-CEPZ/2026/ANR/04	
AAD (ARCH)		JT. DIR (ARCH)	
		DIRECTOR (ARCH) FOR CHIEF ENGR	

NOTES

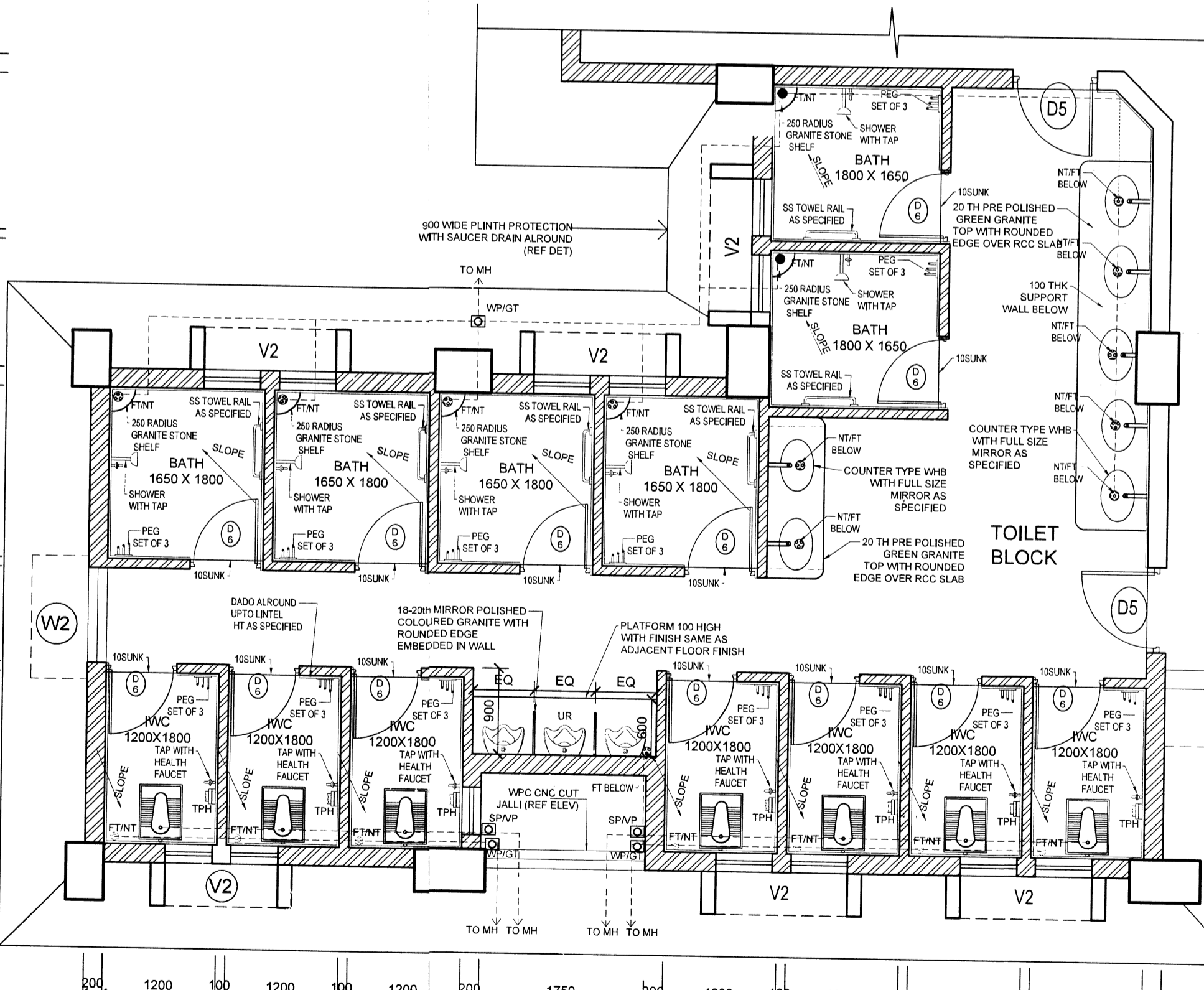


No.	Description	Date	Sign
	Revision		
Project Name			
PROVN OF SINGLEMAN ACCOMMODATION FOR 250 X AGNIVEERS IN DRIVING & MAINTENANCE REGIMENT AT ACC & S AHMEDNAGAR.			
SINGLE LIVING ACCN FOR 250 AGNIVEER, DINING HALL AND COOK HOUSE			
ELEVATIONS AND PART SECTION AT 'R-R' & 'P-P'			
DATE	13-APR-2026	CHIEF ENGINEER	SHT NO
DRN		PUNE ZONE	5
SCALE	1:200		8
DRG NO:-CEPZ/2026/ANR/04			
AAD (ARCH)	JT. DIR (ARCH)	DIRECTOR (ARCH) FOR CHIEF ENGR	

NOTES

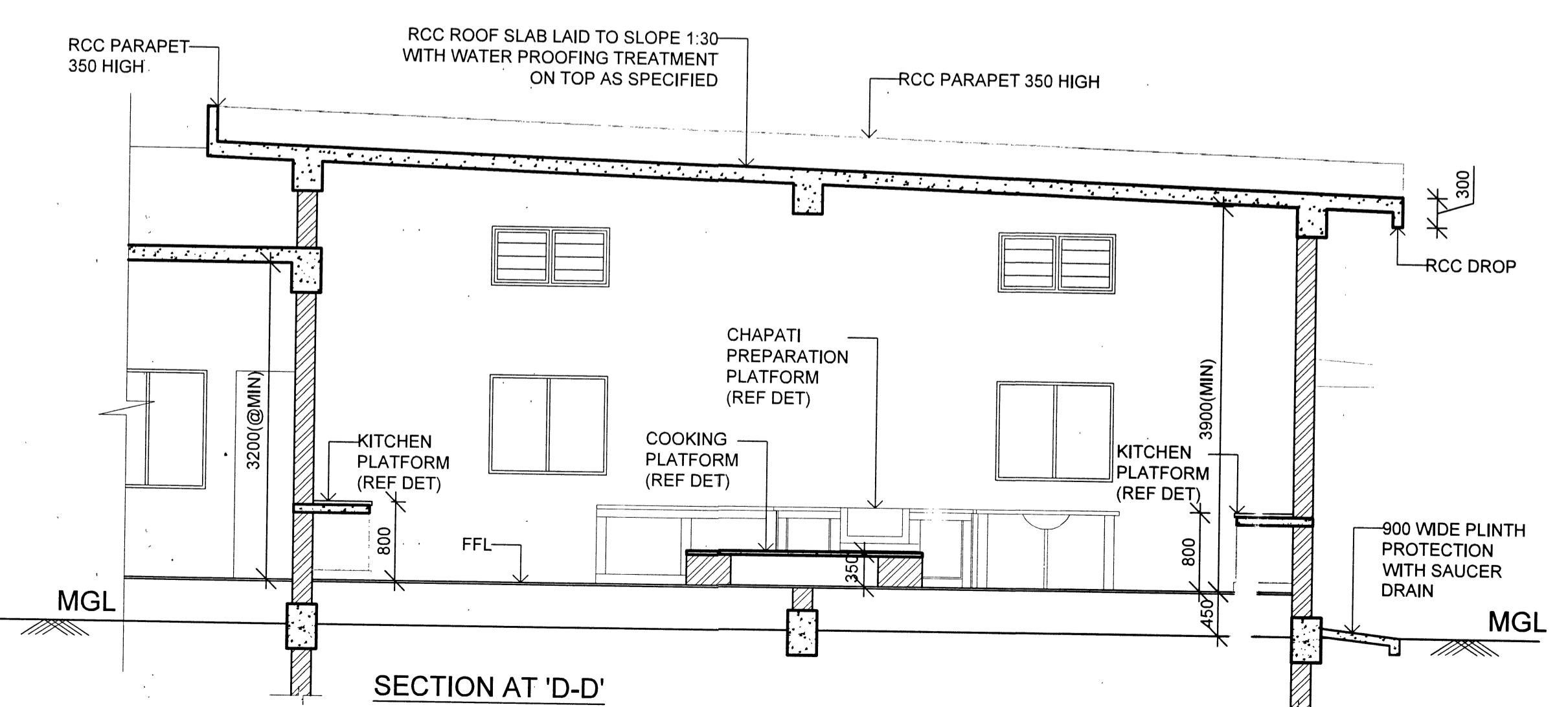


DETAIL PLAN OF KITCHEN, SERVERY PAN WASH, FRESH STORE, DRY STORE, MEAT ROOM, FUEL STORE & COOK ROOM
SCALE - 1:50



TYPICAL DETAIL PLAN OF TOILET
SCALE - 1:50

NOTE : THIS TOILET DETAILS SHOWS TYPICAL DETAILS OF TOILET BLOCK. SAME DETAILS SHALL BE FOLLOWED FOR ALL TOILET BLOCKS ON ALL FLOORS. SUNKEN SLAB AS MARKED ON MAIN PLAN ON 1ST AND 2ND FLOOR SHALL BE PROVIDED AS SHOWN.



SECTION AT 'D-D'
SCALE = 1:50

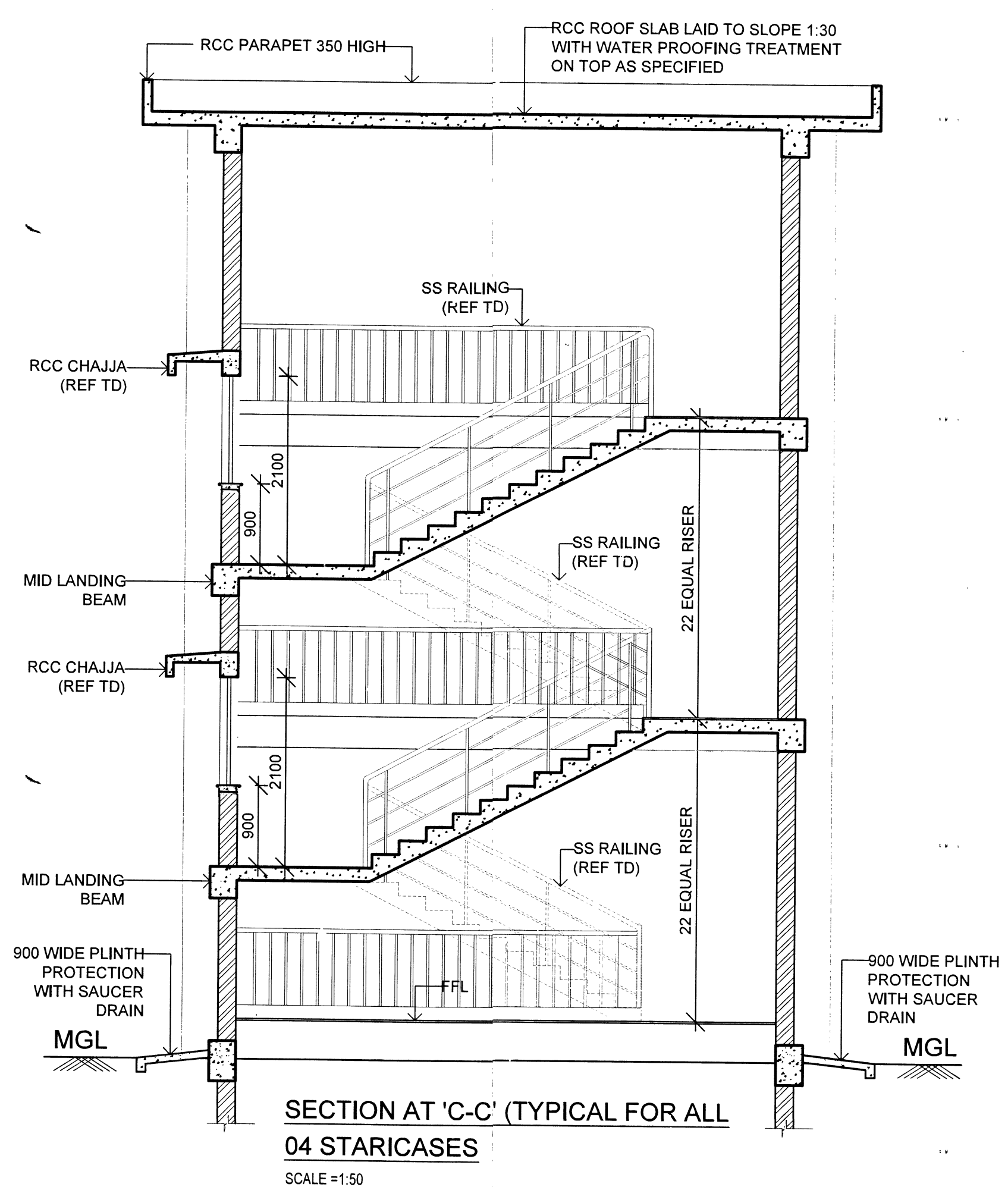
No.	Description	Date	Sign
	Revision		
Project Name			
PROVN OF SINGLEMAN ACCOMMODATION FOR 250 X AGNIVEERS IN DRIVING & MAINTENANCE REGIMENT AT ACC & S AHMEDNAGAR.			
SINGLE LIVING ACCN FOR 250 AGNIVEER, DINING HALL AND COOK HOUSE			
COOK HOUSE, TOILET DETAILS AND SECTION AT 'D-D'			
DATE	13-APR-2026	CHIEF ENGINEER	SHT NO
DRN			
SCALE	1:200		8
DRG NO:-CEPZ/2026/ANR/04			

AAD (ARCH)

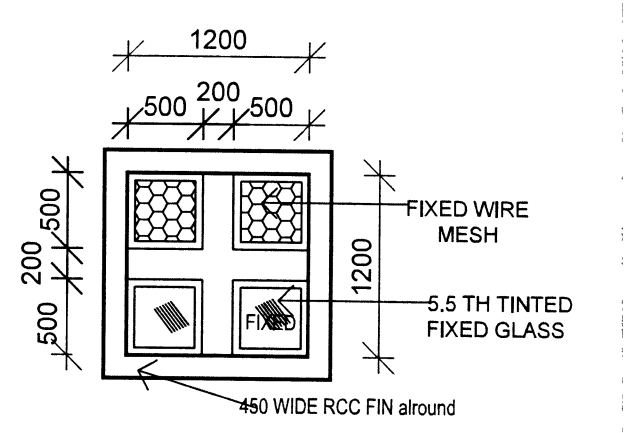
JT. DIR (ARCH)

DIRECTOR (ARCH) FOR CHIEF ENGR

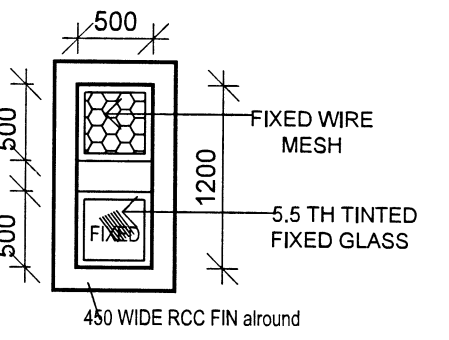
NOTES



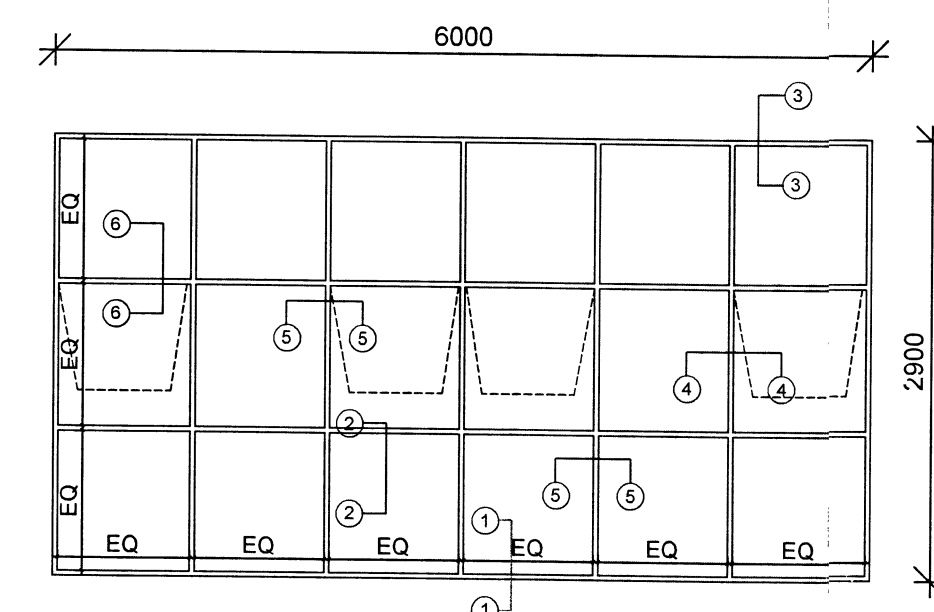
SECTION AT 'C-C' (TYPICAL FOR ALL 04 STARICASES)
SCALE = 1:50



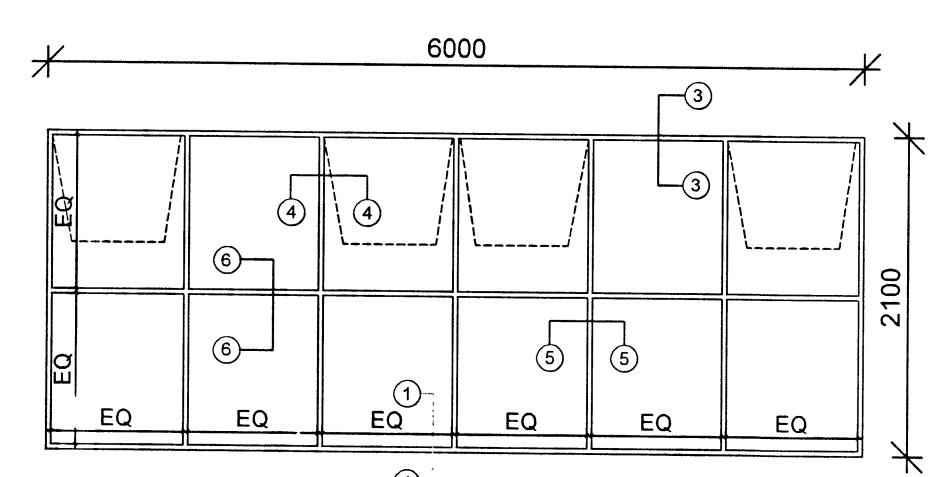
ELEVATION OF ALV -V2 (4 Nos)
SCALE - 1:50



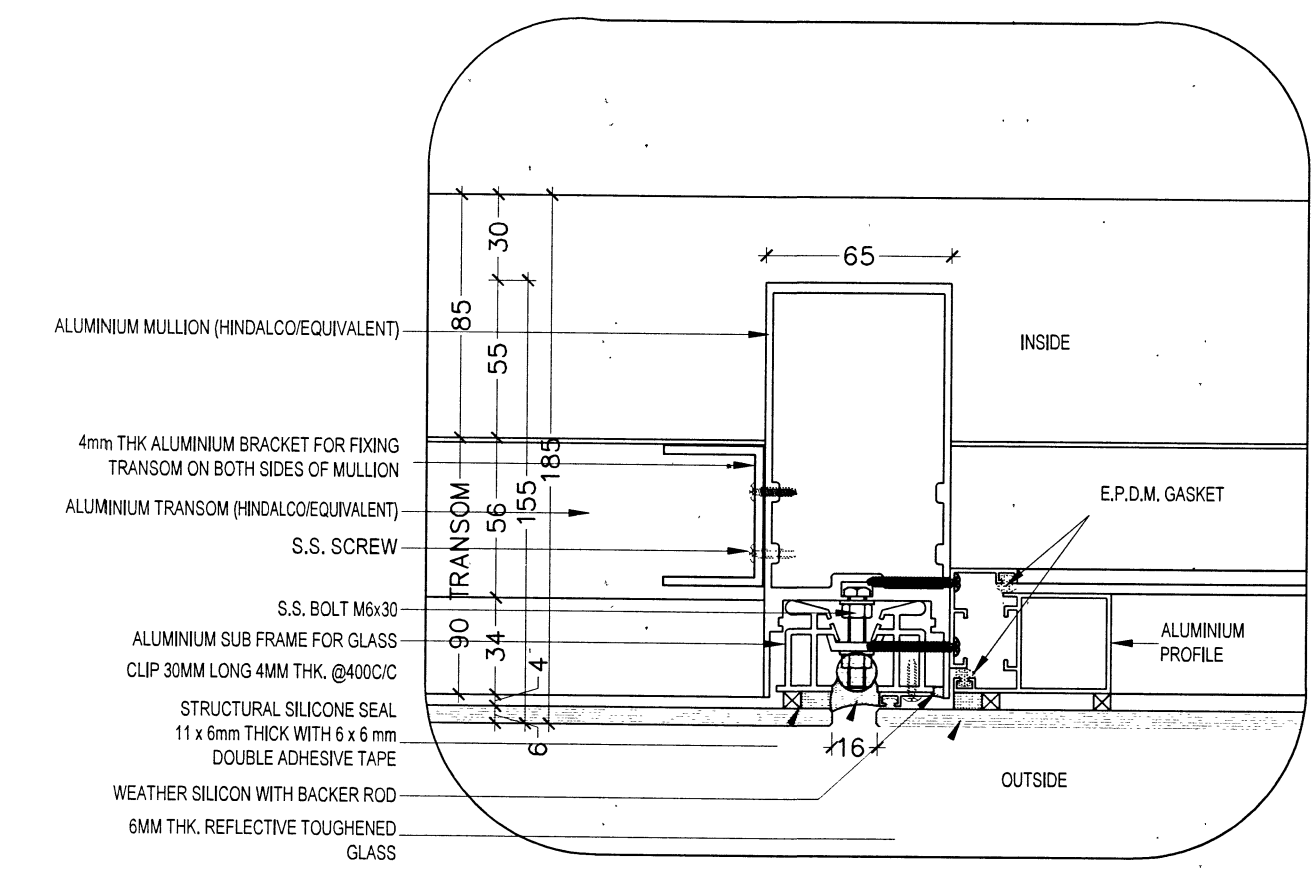
ELEVATION OF ALV -V3 (2 Nos)
SCALE - 1:50



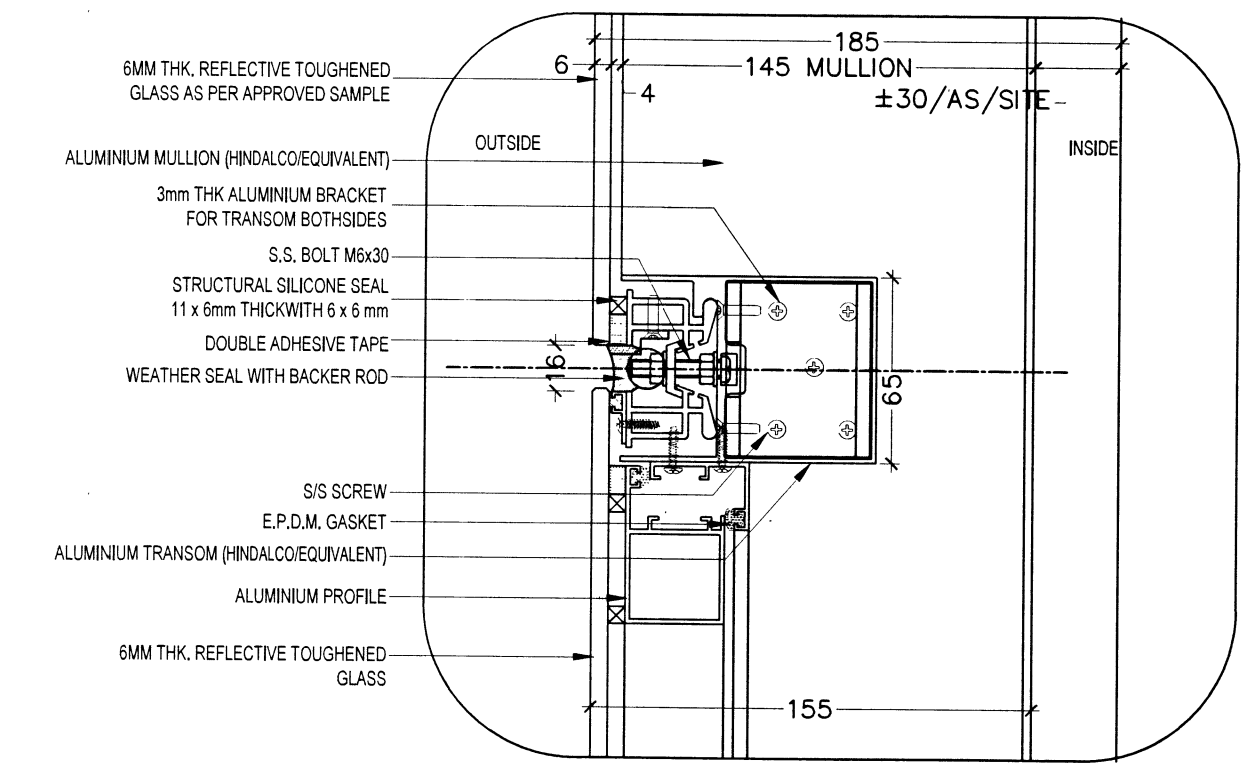
STRUCTURAL GLAZING - FG 1 (FIRST FLOOR)



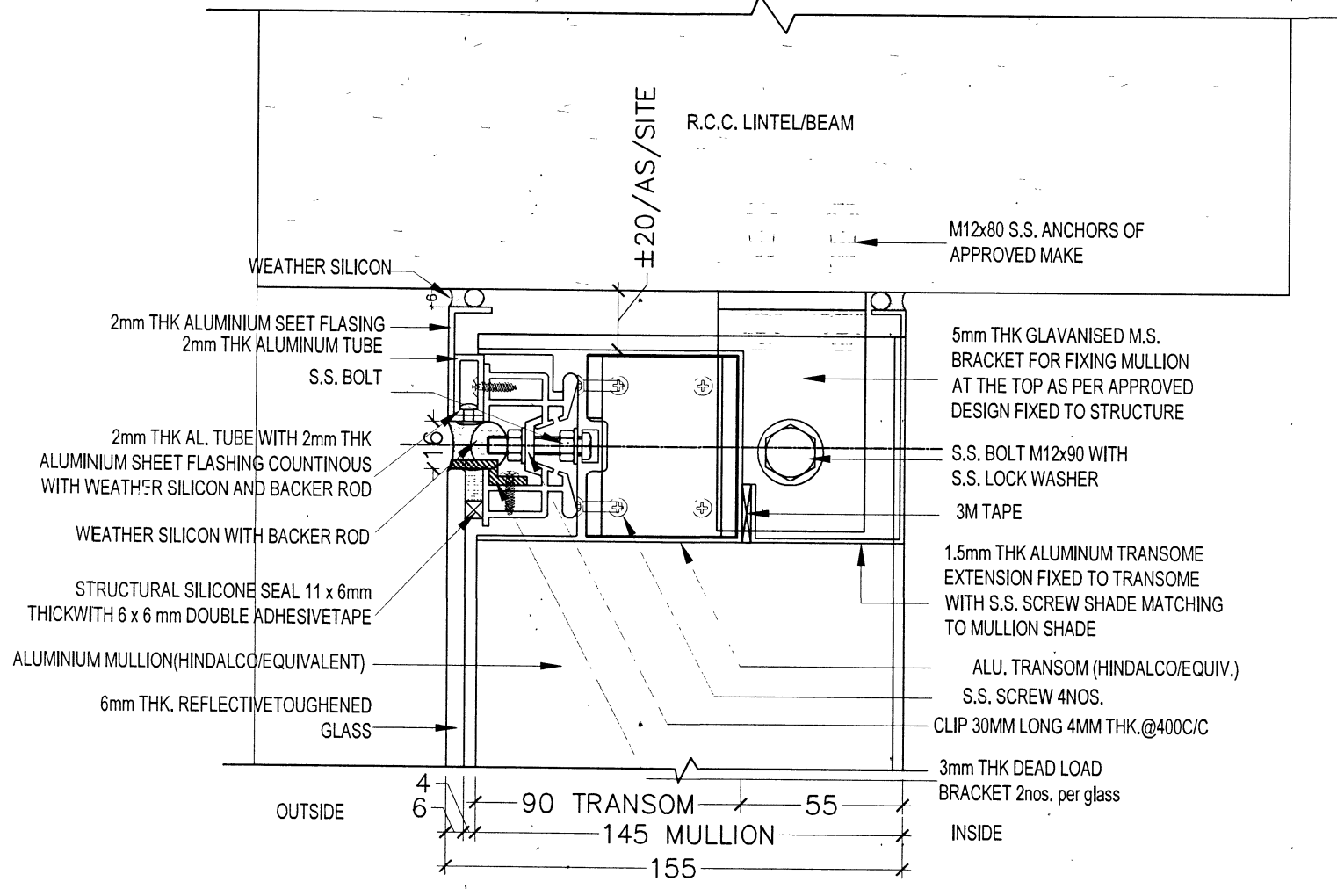
STRUCTURAL GLAZING - FG 2 (SECOND FLOOR)



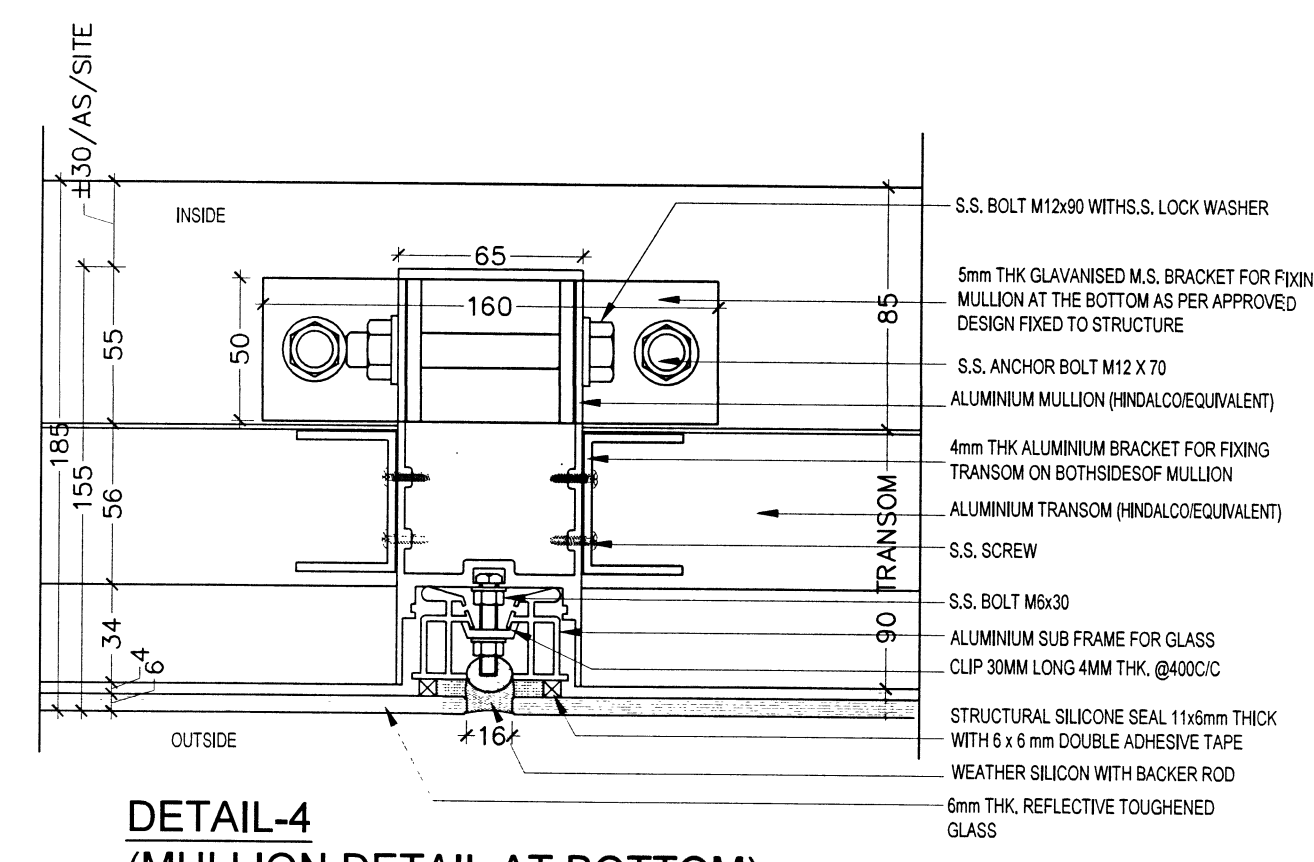
DETAIL-5 (FOR OPENABLE PORTION)



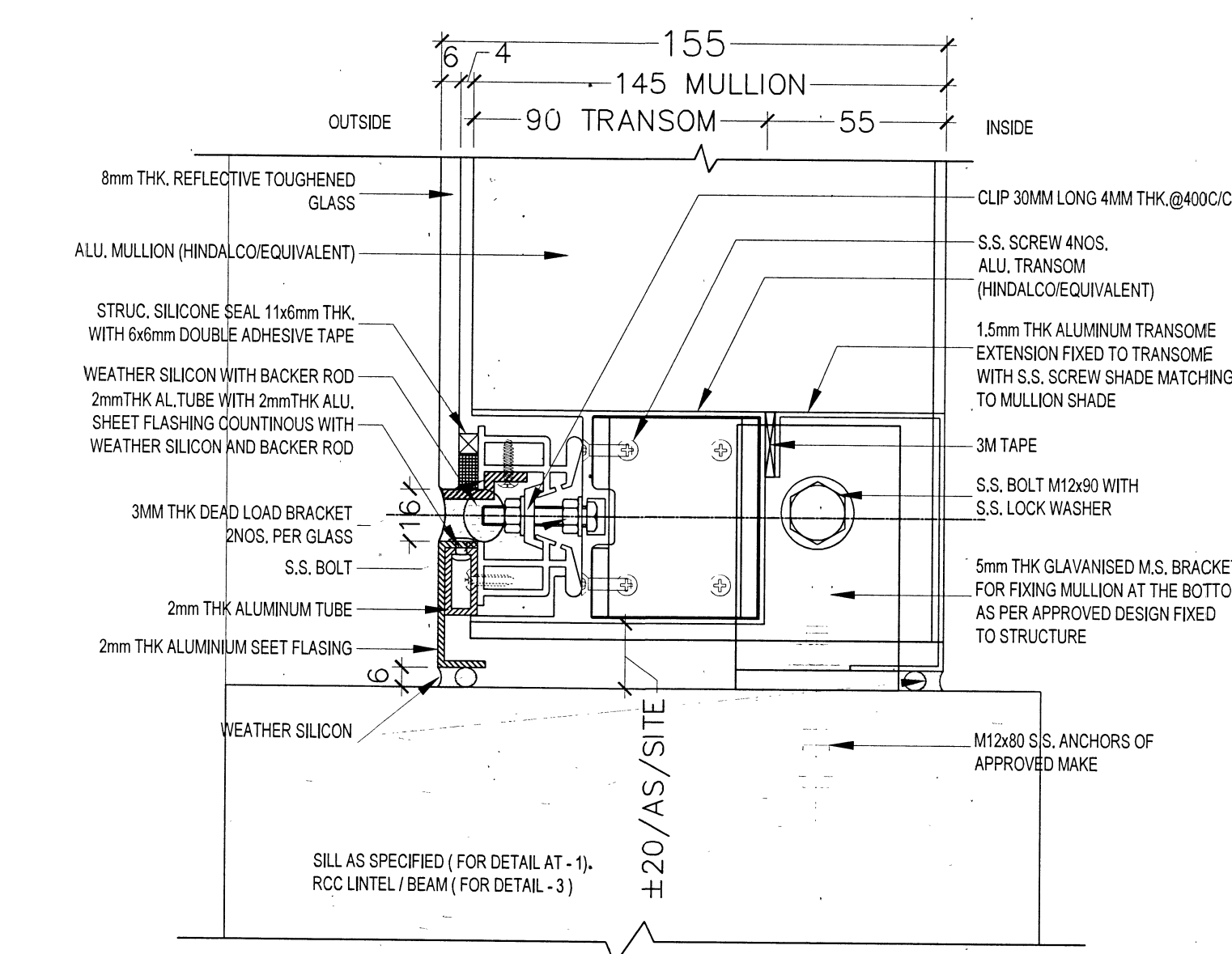
DETAIL-6 (FOR OPENABLE PORTION)



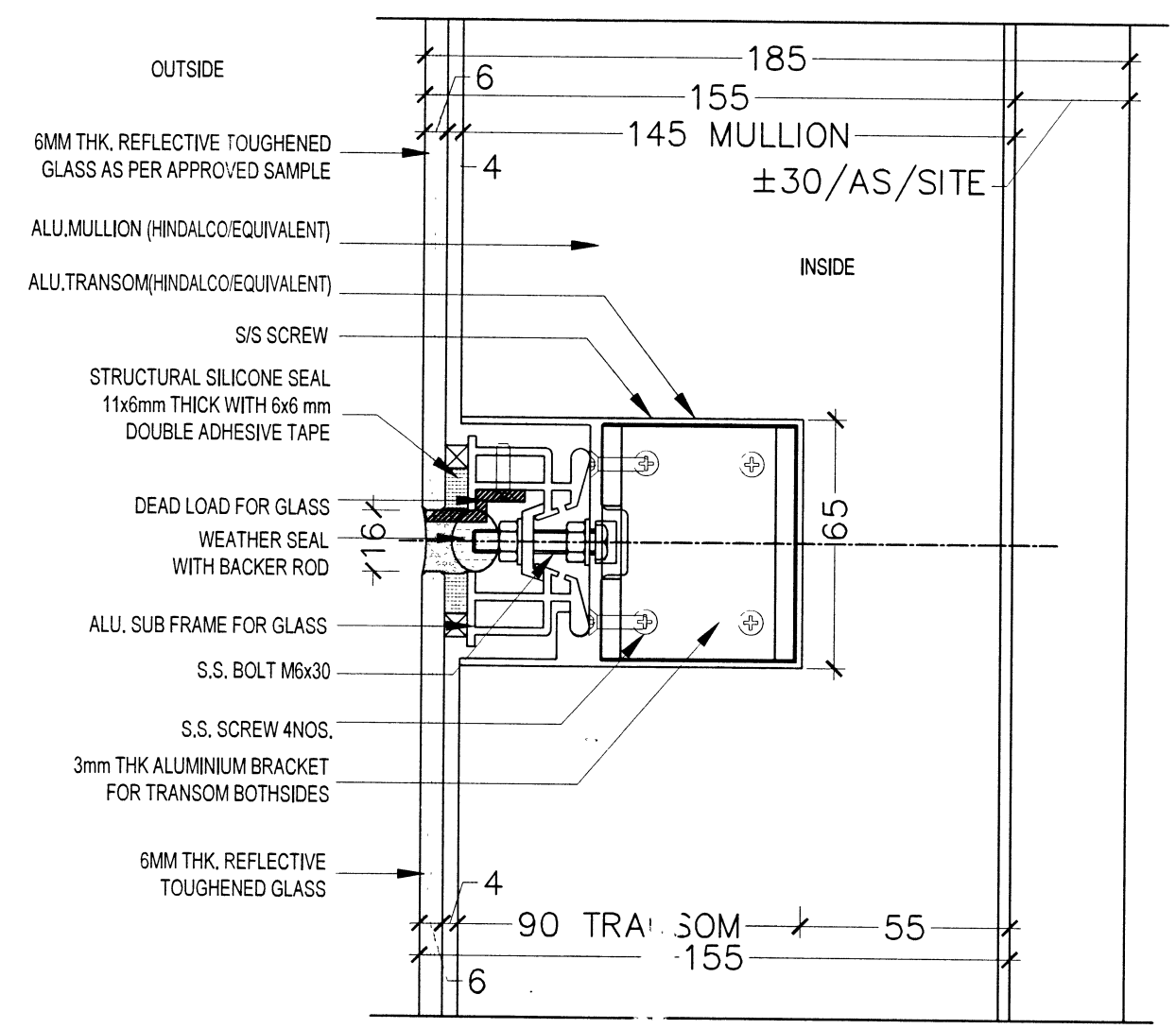
DETAIL-3 (TRANSOM DETAIL AT TOP)



DETAIL-4 (MULLION DETAIL AT BOTTOM)



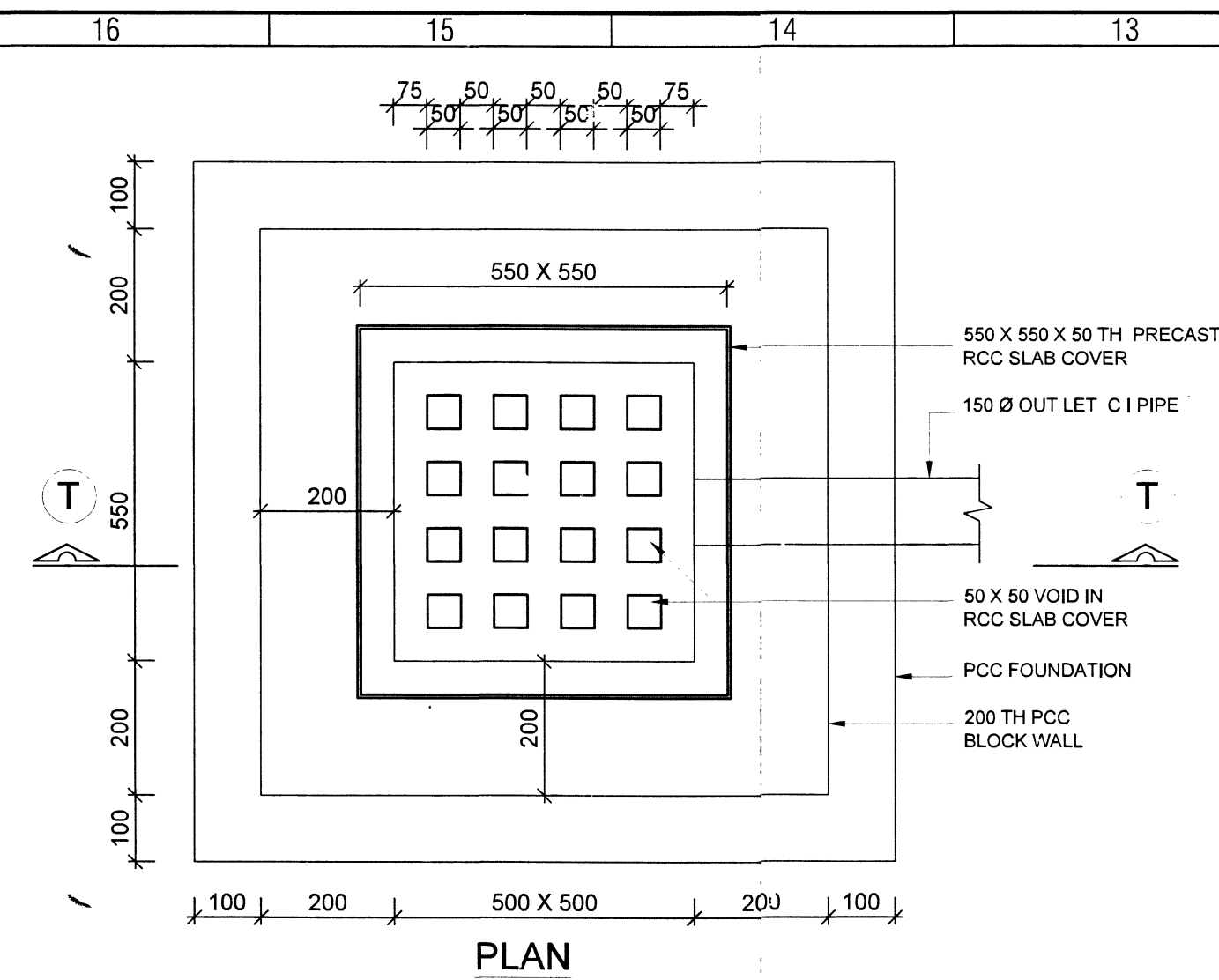
DETAIL-1 (TRANSOM DETAIL AT BOTTOM)



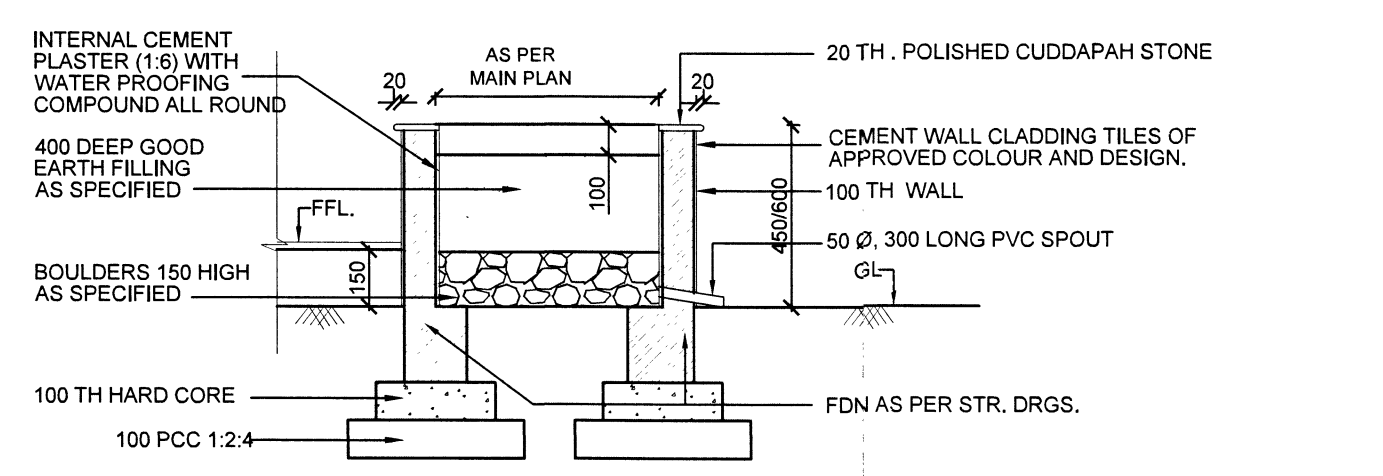
DETAIL-2 (TRANSOM DETAIL)

No.	DESCRIPTION	Date	SIGN
	Revision		
Project Name			
PROVN OF SINGLEMAN ACCOMMODATION FOR 250 X AGNIVEERS IN DRIVING & MAINTENANCE REGIMENT AT ACC & S AHMEDNAGAR.			
SINGLE LIVING ACCN FOR 250 AGNIVEER, DINING HALL AND COOK HOUSE			
SECTION AT 'C-C', DETAILS OF VENTILATORS AND STRUCTURAL GLAZING			
DATE	13-APR-2026	CHIEF ENGINEER	SHT NO
DRN		PUNE ZONE	7
SCALE	1:200		8
DRG NO:-CEPZ/2026/ANR/04			
AAD (ARCH)	JT, DIR (ARCH)	DIRECTOR (ARCH) FOR CHIEF ENGR	

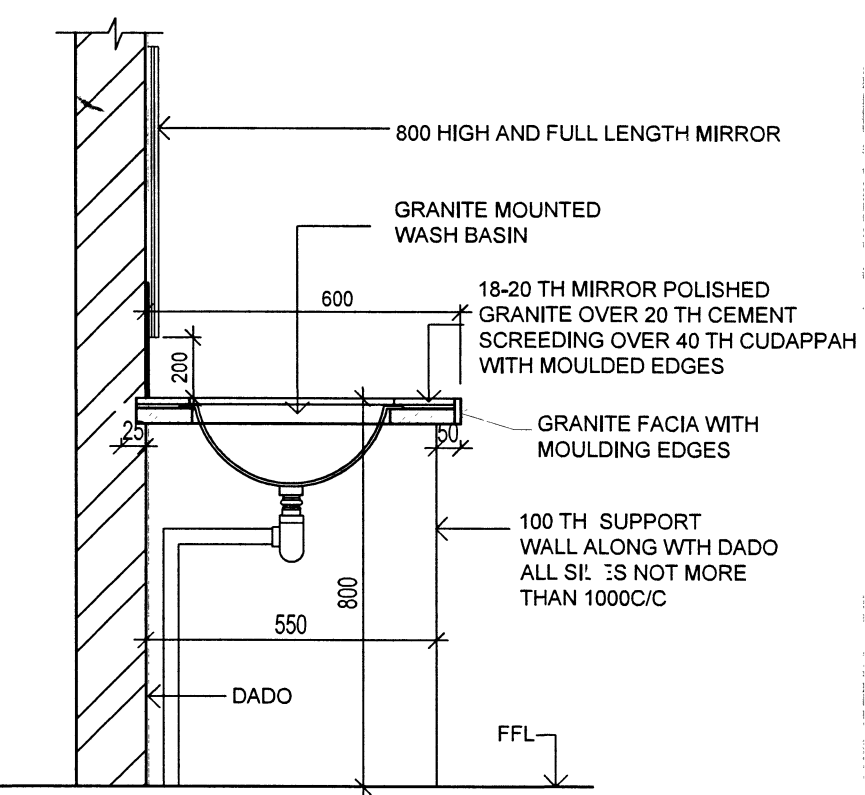
NOTES



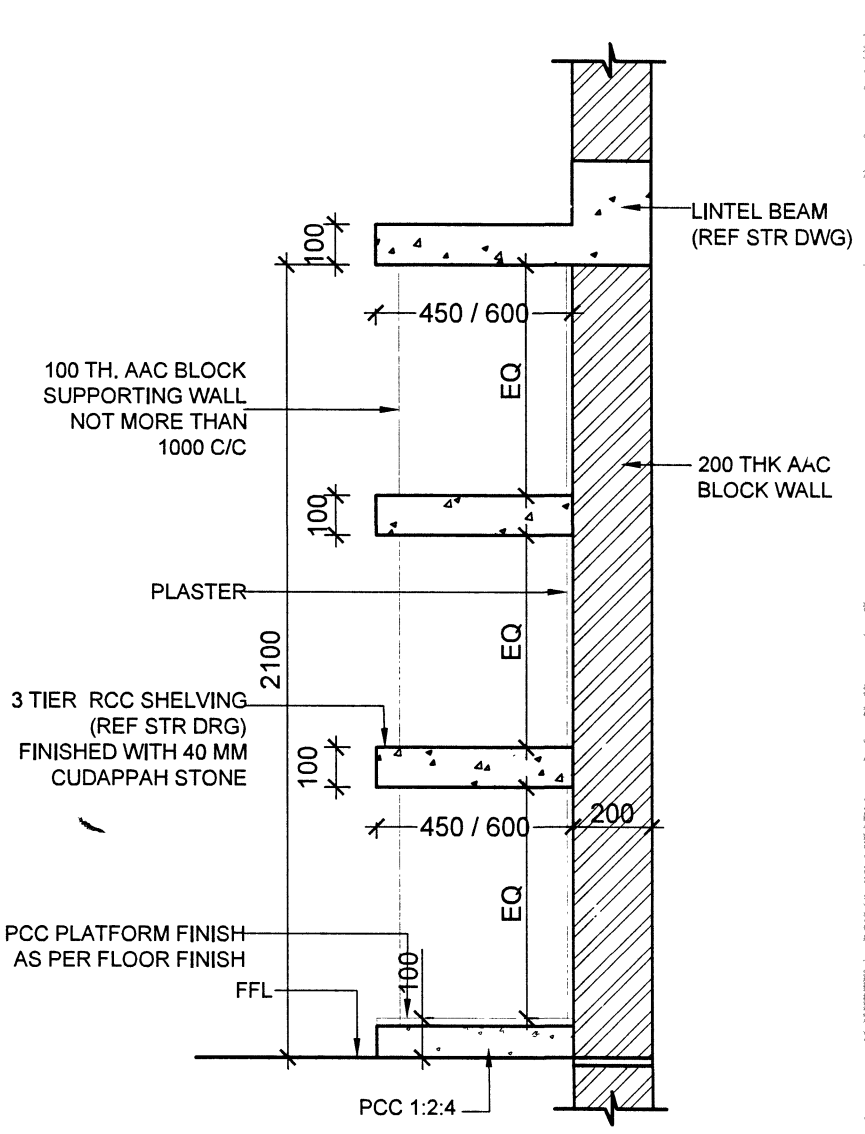
DETAILS OF RAIN WATER SUMP
SCALE - 1:20



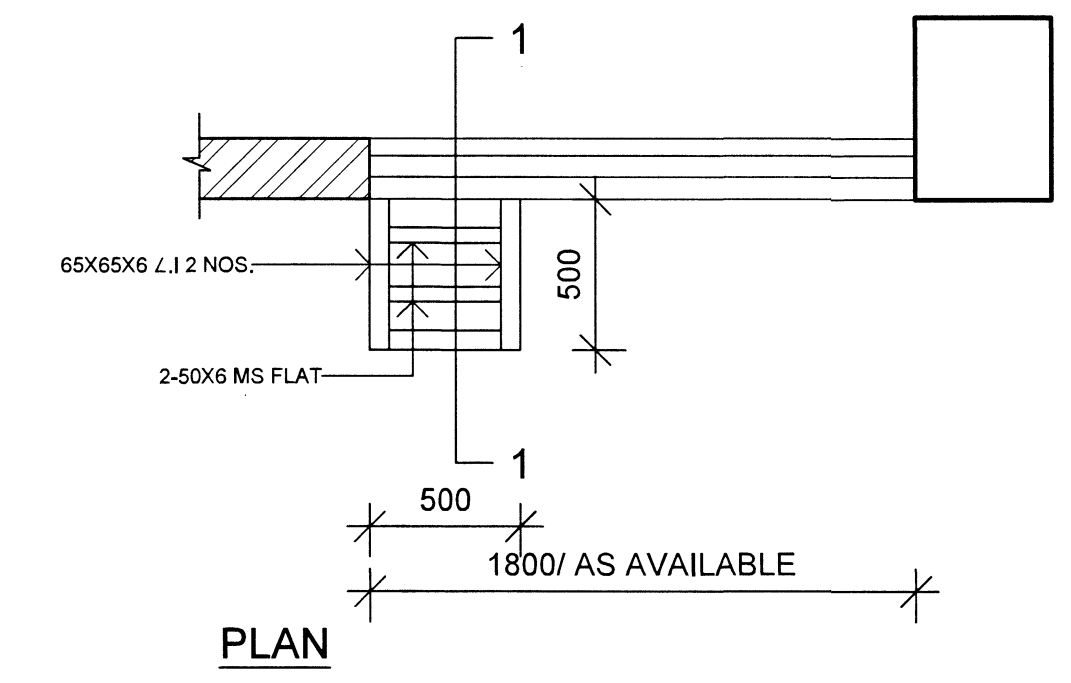
TYPICAL SECTION THROUGH FLOWER BED



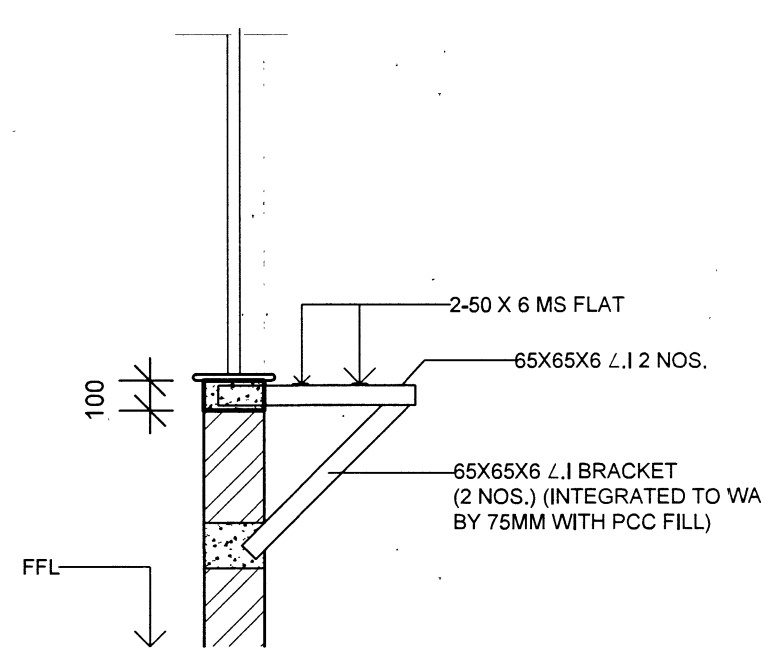
TYPICAL SECTION THROUGH GRANITE MOUNTED BASIN



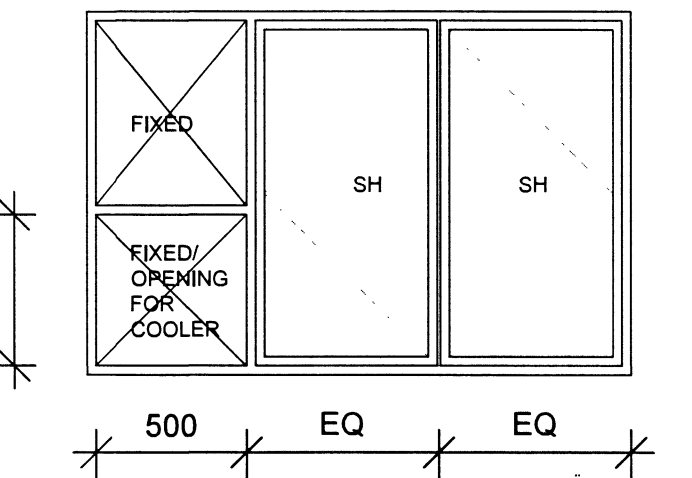
DETAILS OF 3 TIER RCC SHELVING



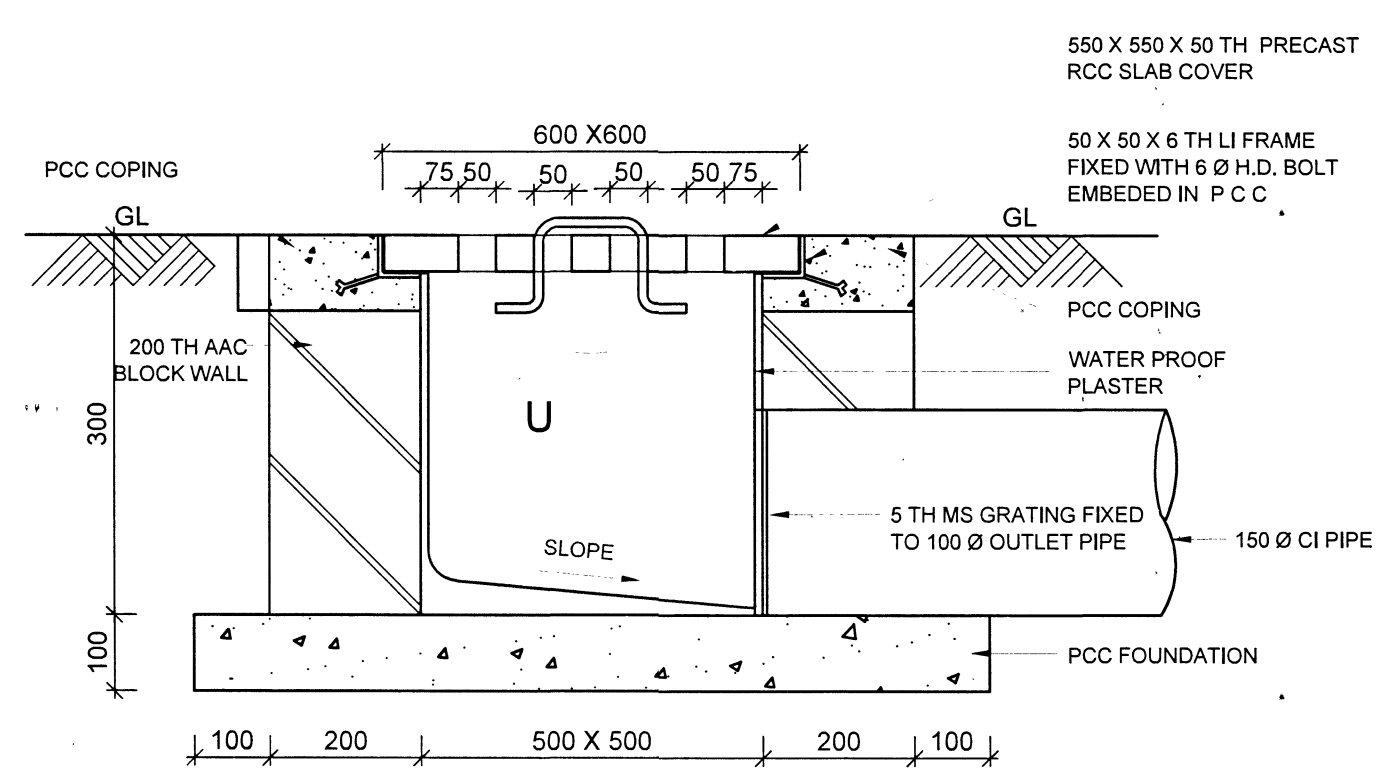
DETAILS OF WINDOW WITH DESERT COOLER STAND
(LOCATION OF DESERT COOLER STAND IS TENTATIVE, EXACT LOCATION TO BE DECIDED BY ENGR-IN-CHARGE) (ALL OTHER DETAILS SHALL BE FOLLOWED AS PER TD DRG NO. CEPZ/2016/TD/03, SHT No. 1R/3 TO 3R/3 SCALE=1:25)



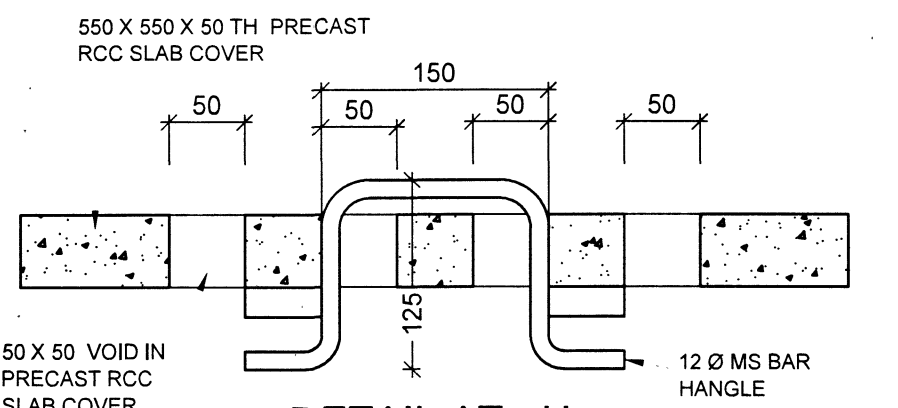
SECTION AT '1-1'
SCALE=1:25



ELEVATION

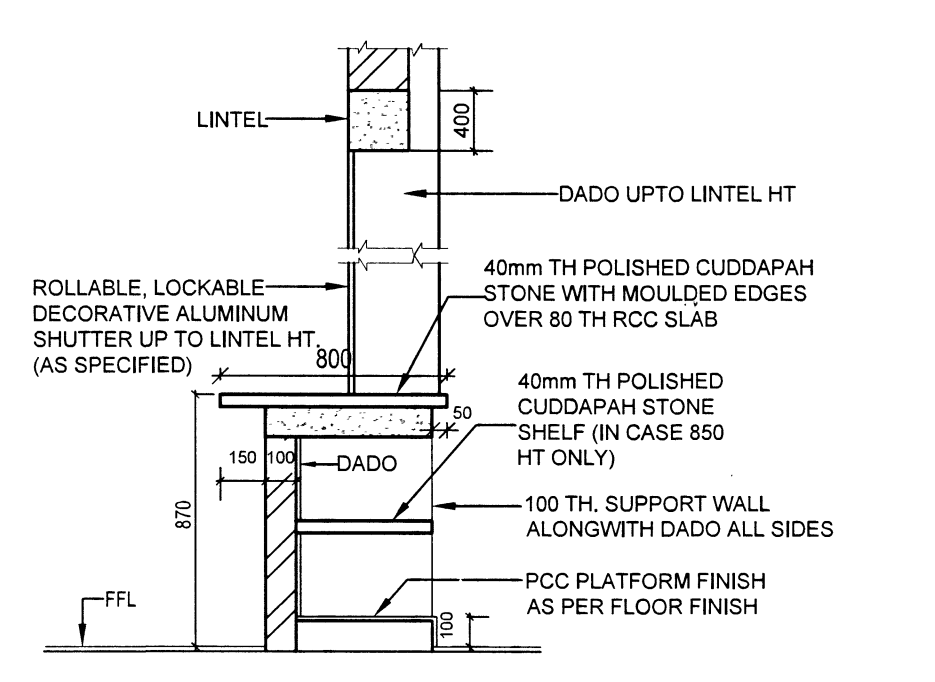


SECTION AT 'T-T'

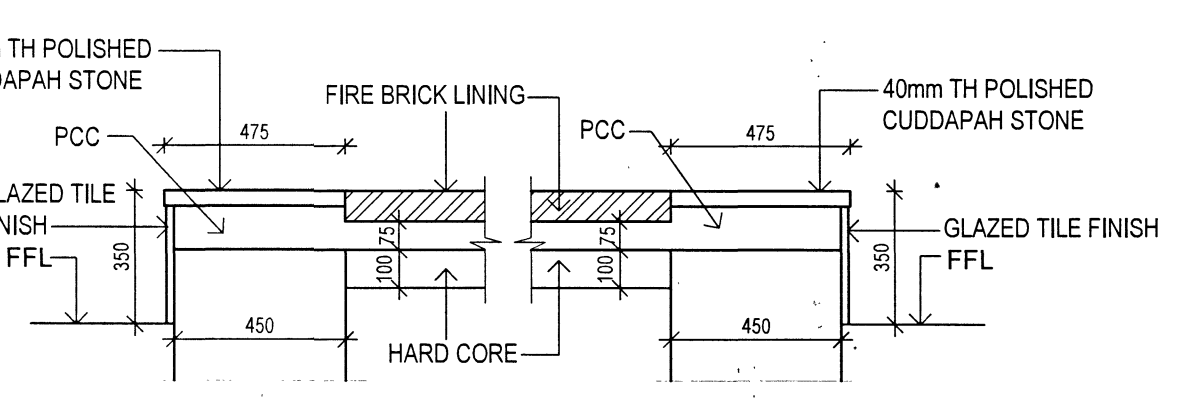


DETAIL AT - U
SCALE :- 1:10

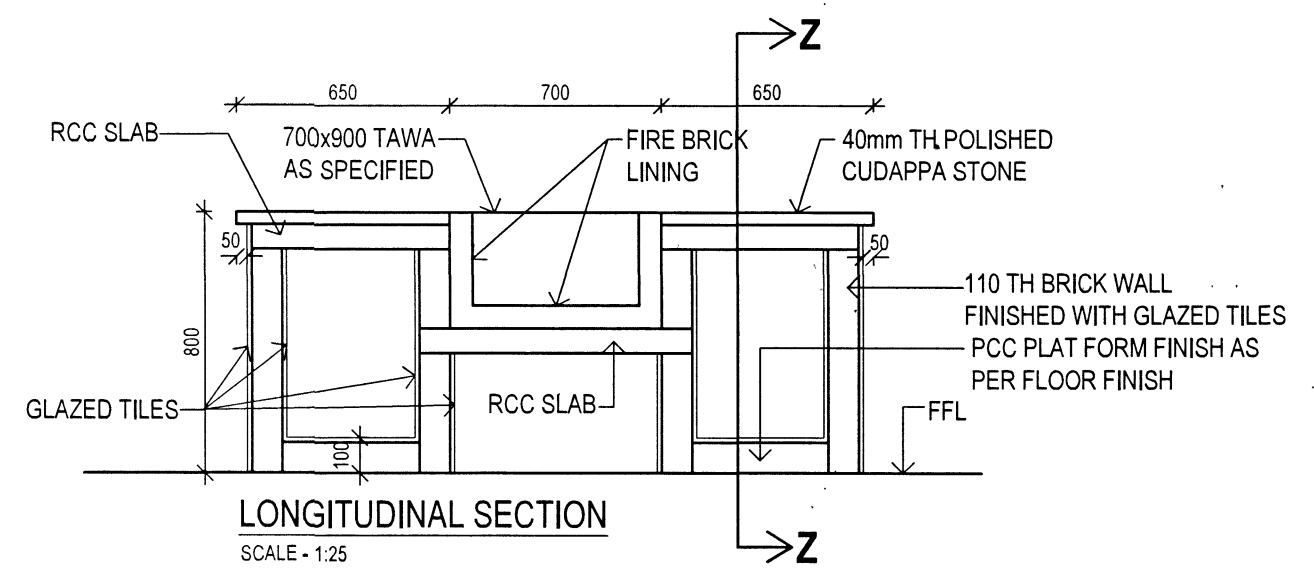
SECTION AT - 'U'



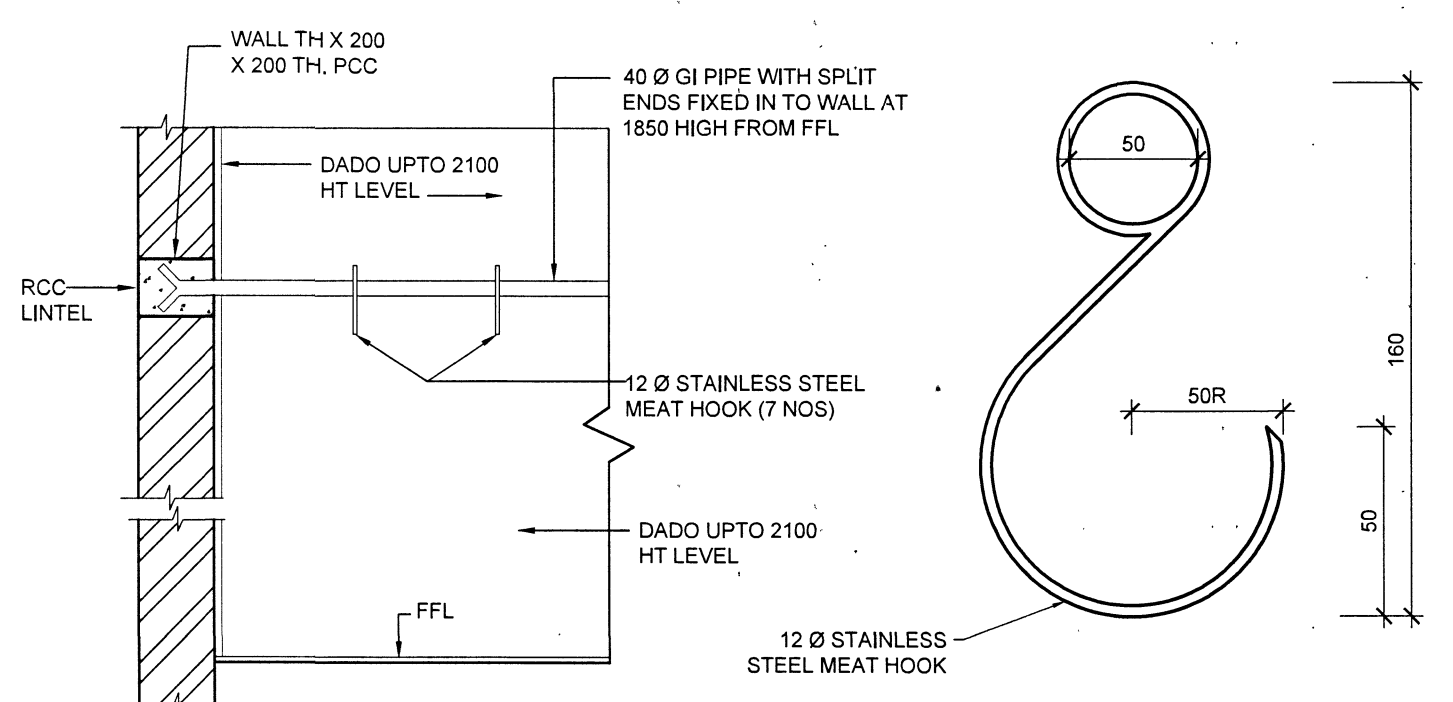
DETAIL SECTION OF SERVICE COUNTER



TYPICAL SECTION THROUGH COOKING PLATFORM

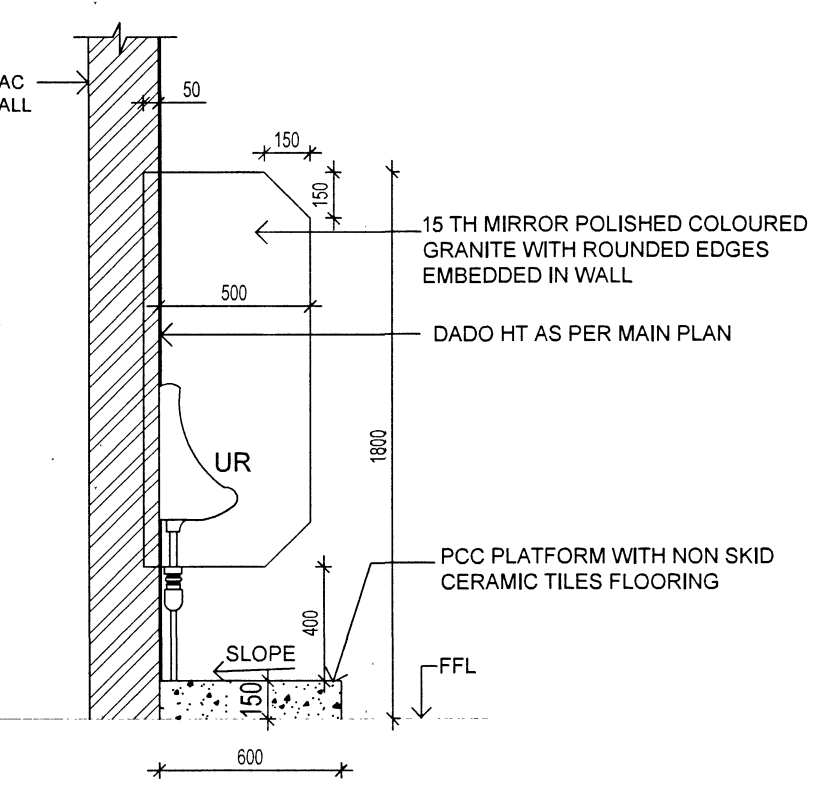


DETAIL OF CHAPATI PREPARATION PLATFORM



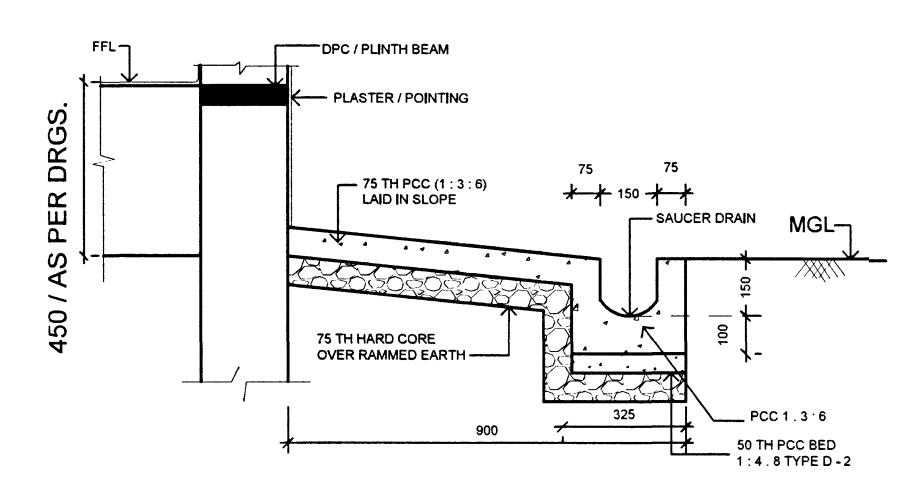
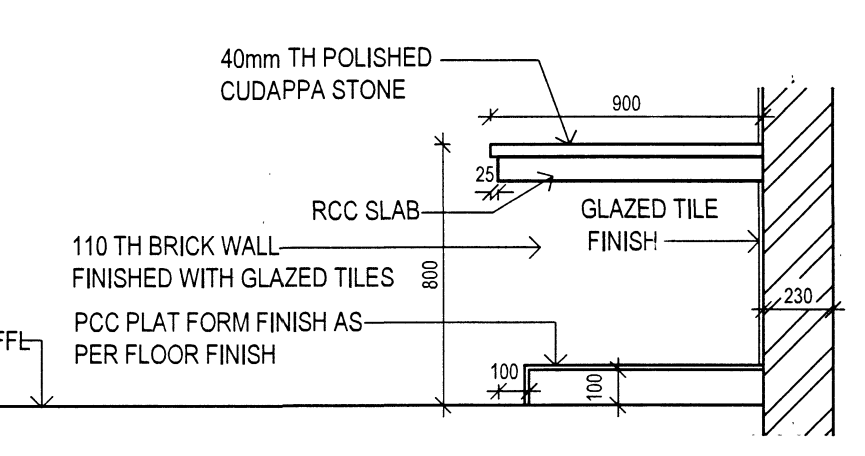
SECTIONAL ELEVATION AT 'L-L'

DETAIL OF MEAT HOOK

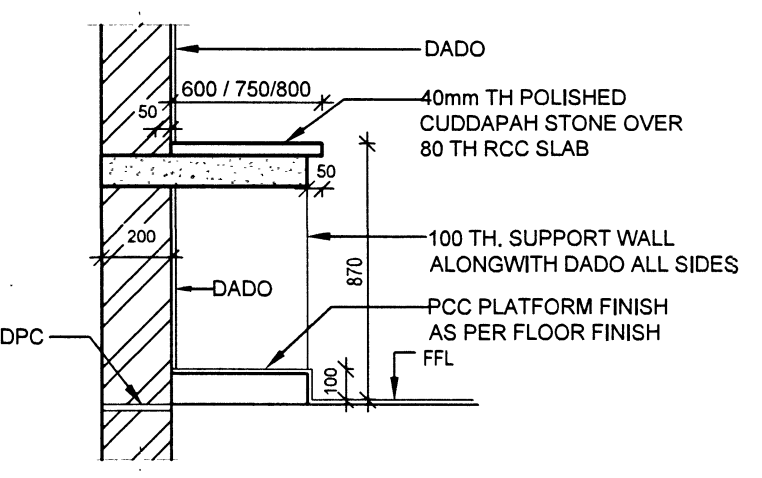


TYPICAL SECTION THRO URINAL
NOTE : PLUNGER TYPE STOP COCK SHALL BE PROVIDED TO URINAL.

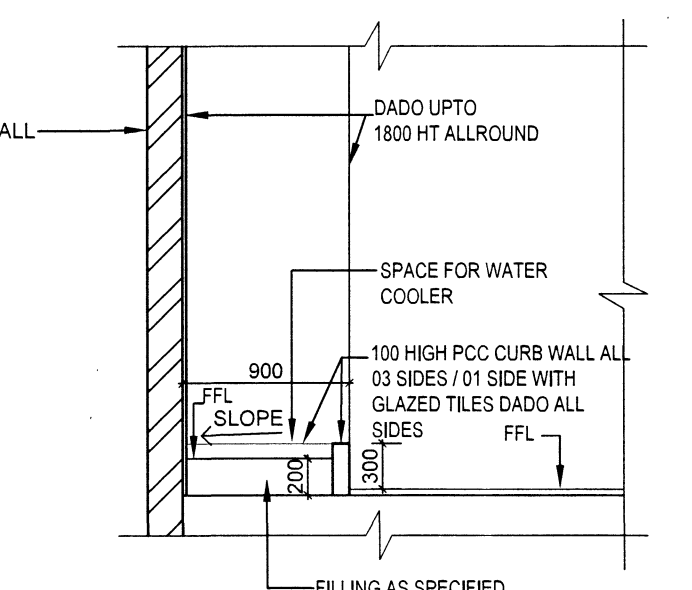
CROSS SECTION AT 'Z-Z'



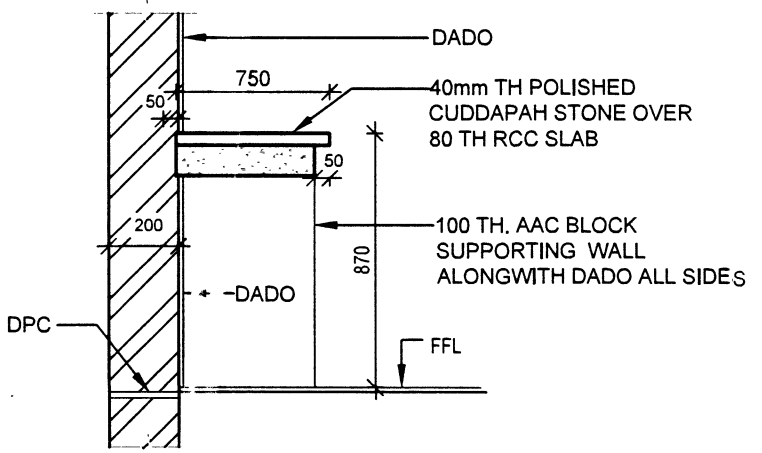
DETAILS OF PCC PLINTH PROTECTION WITH SAUCER DRAIN



DETAIL SECTION OF CUDDAPAH PLATFORM IN KITCHEN, SERVERY, PAN WASH & MEAT STORE



TYPICAL SECTION THROUGH SPACE FOR WATER COOLER



DETAIL SECTION THROUGH PLATFORM 'A'

No.	DESCRIPTION	Date	SIGN
	Revision		
	Project Name		

PROVN OF SINGLEMAN ACCOMMODATION FOR 250 X AGNIVEERS IN DRIVING & MAINTENANCE REGIMENT AT ACC & S AHMEDNAGAR.

SINGLE LIVING ACCN FOR 250 AGNIVEER, DINING HALL AND COOK HOUSE

MISC DETAILS

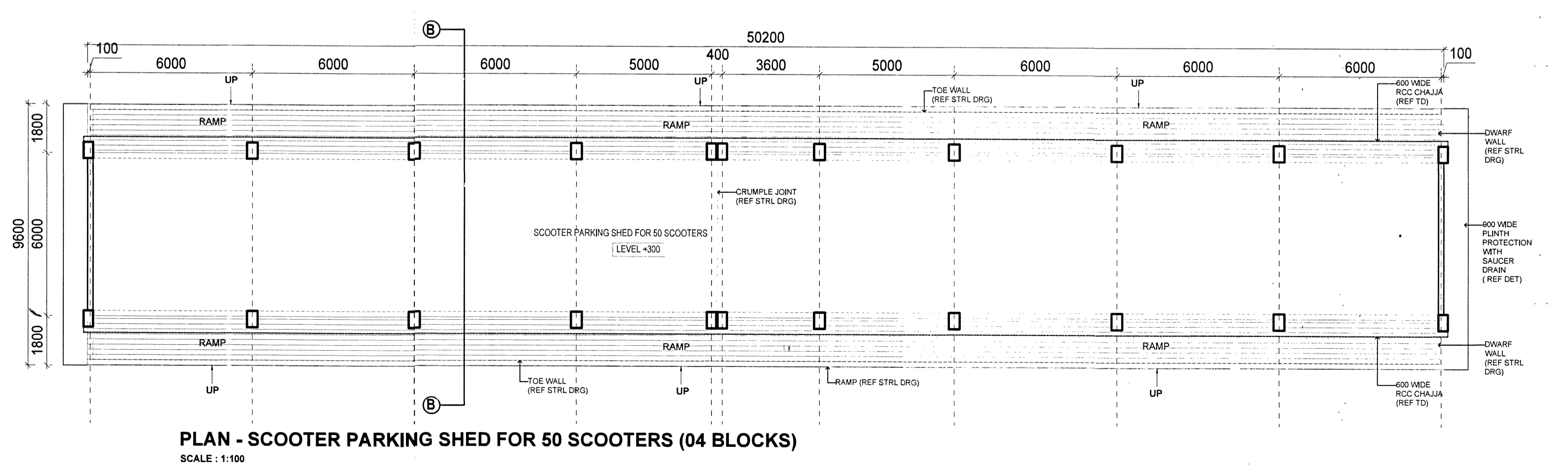
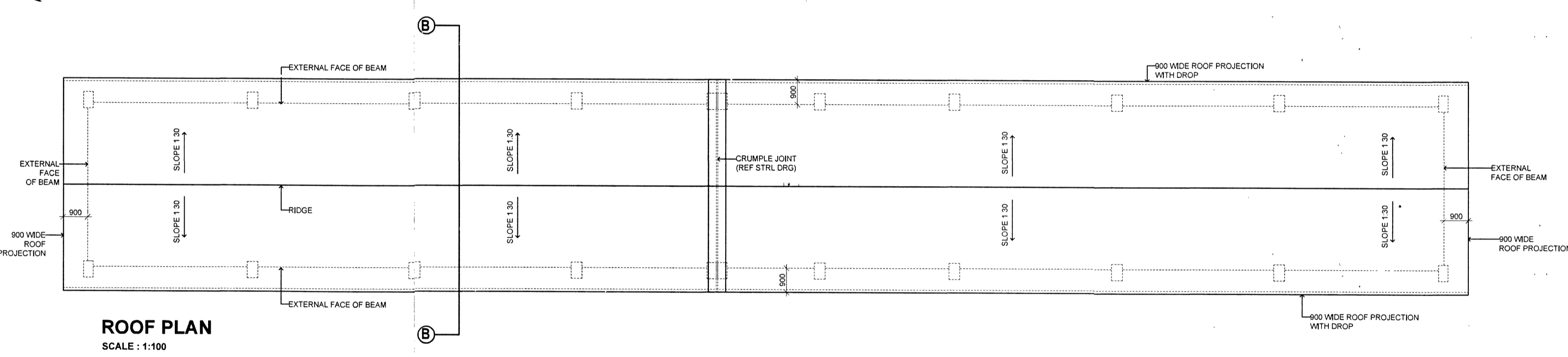
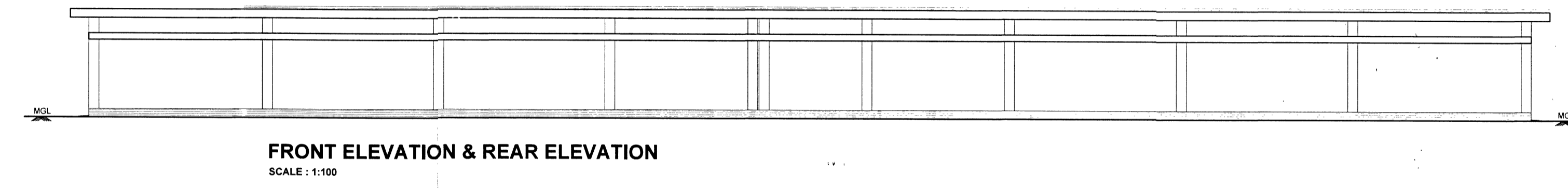
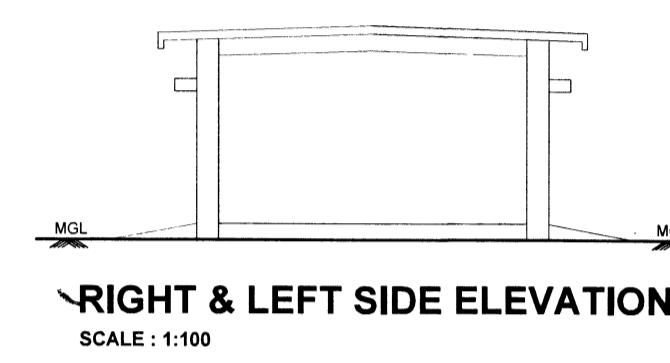
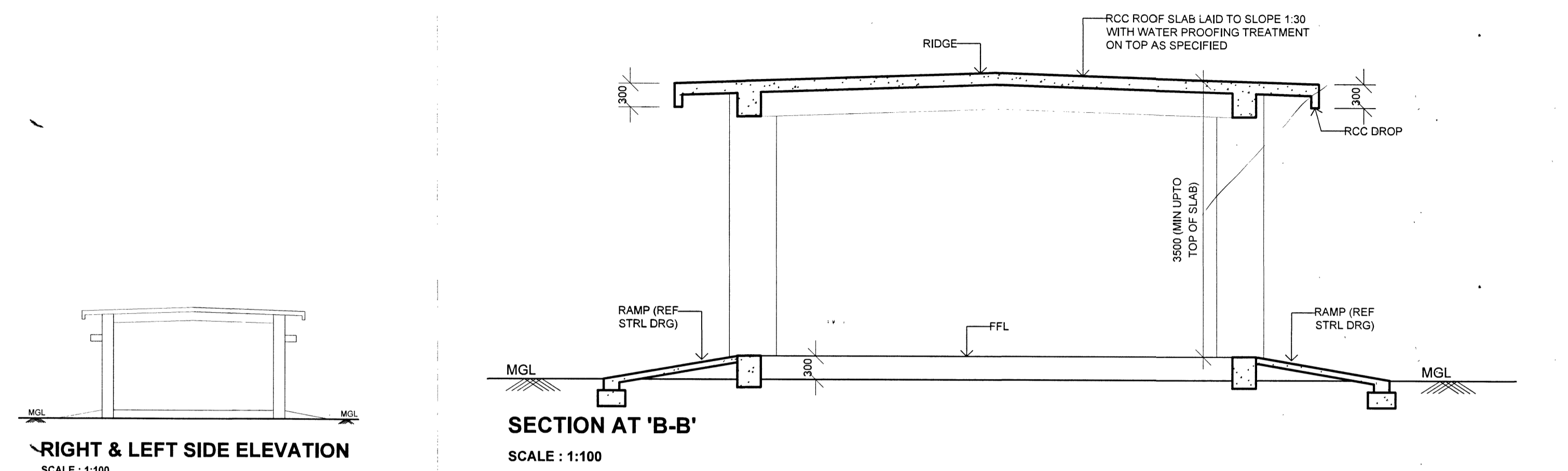
DATE	13-APR-2026	CHIEF ENGINEER PUNE ZONE	SHT NO 8
DRN			
SCALE	1:200		

DRG NO:-CEPZ/2026/ANR/04

Redhoo (ARCH)
W. N. Wale (ARCH) JT. DIR (ARCH)
D. Mandar (ARCH) DIRECTOR (ARCH) FOR CHIEF ENGR

NOTES

1. FOR NOTES REFER TD DRG No. CEPZ/2024/TD/03, SHT No. 1/1.



SL. NO.	DESCRIPTION	DATE	SIGN
REVISION			

PROVN OF SINGLE MEN ACCOMMODATION FOR 250 X AGNIVEERS IN DRIVING & MAINTENANCE REGIMENT AT ACC & S AHMEDNAGAR.

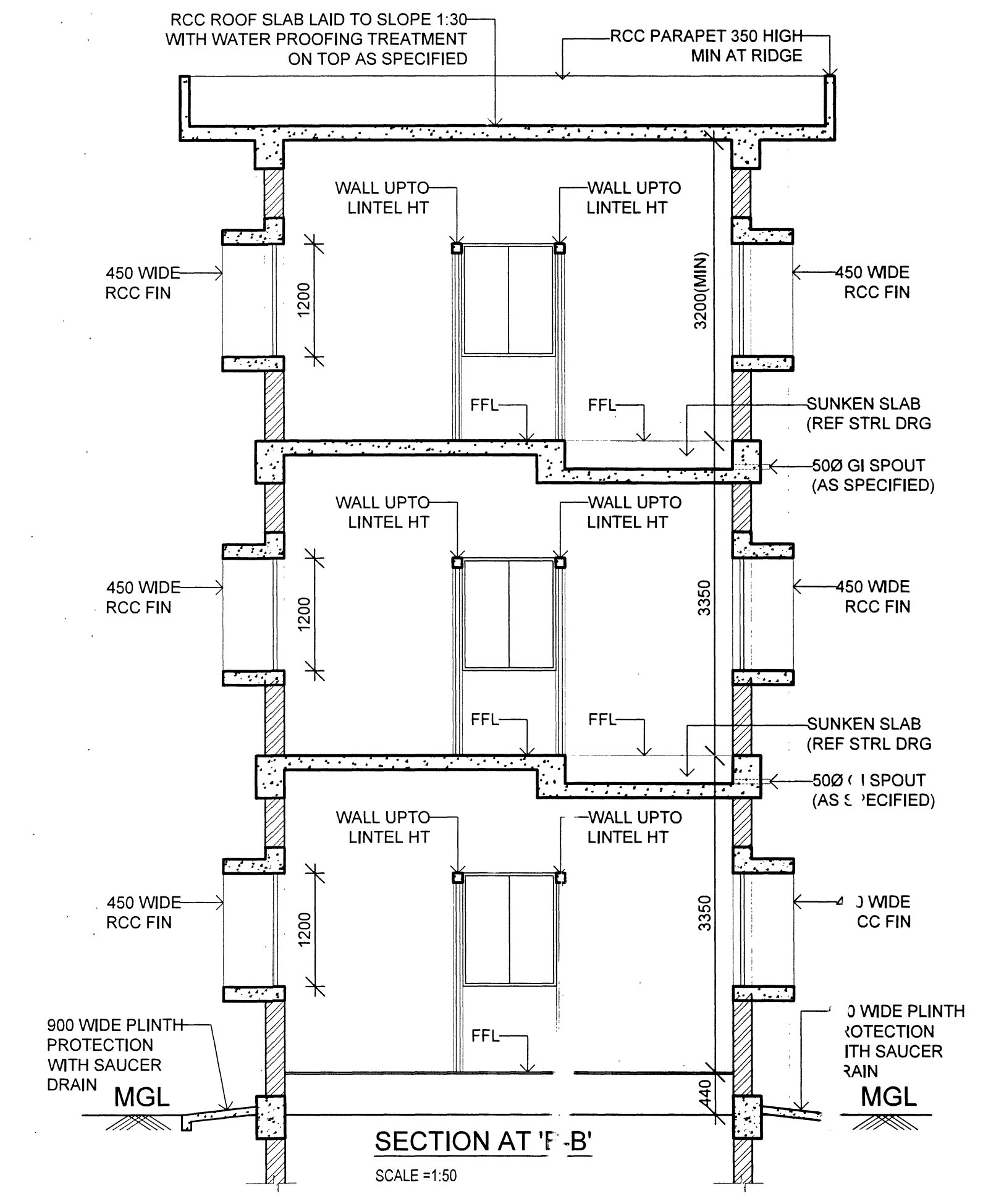
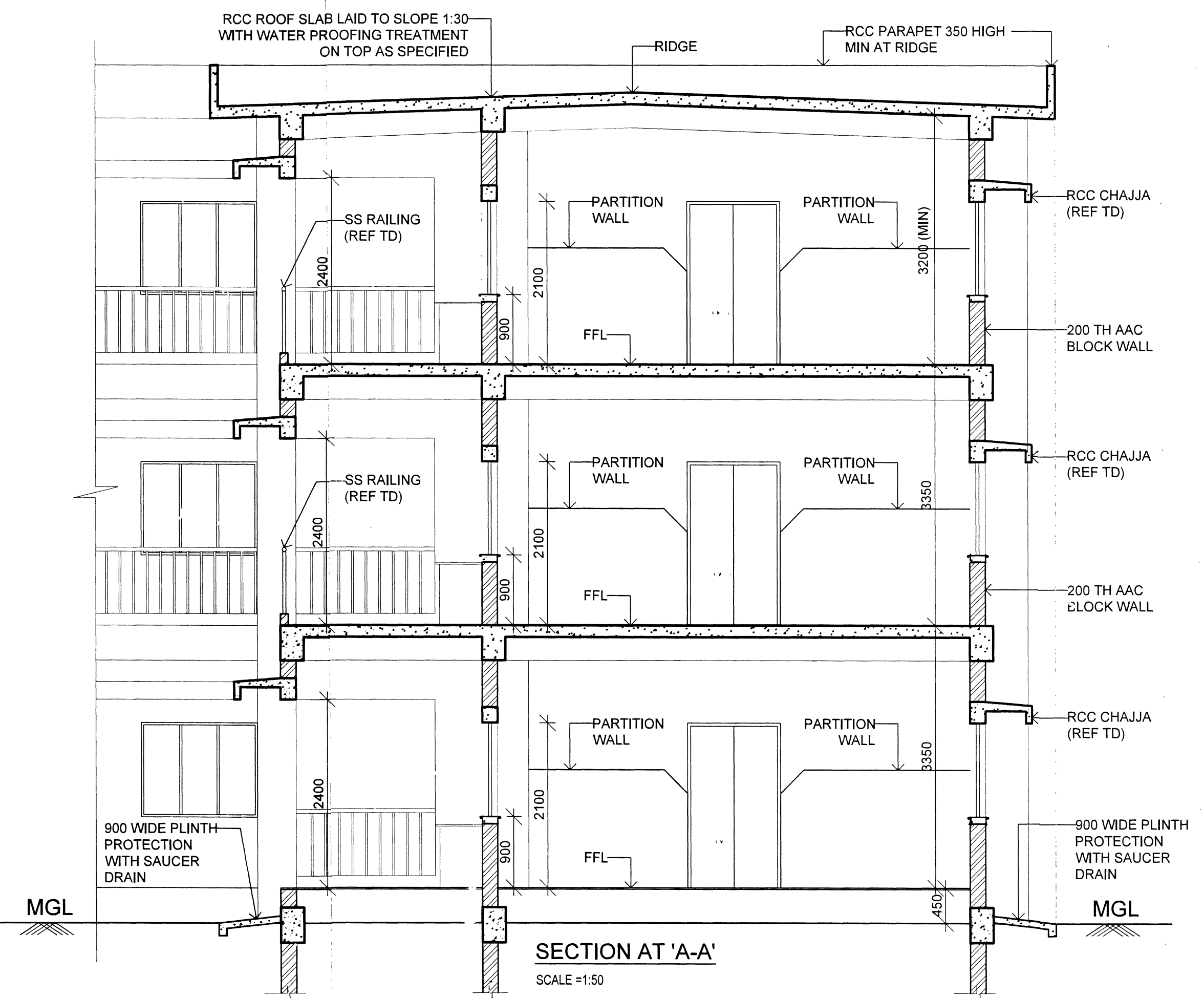
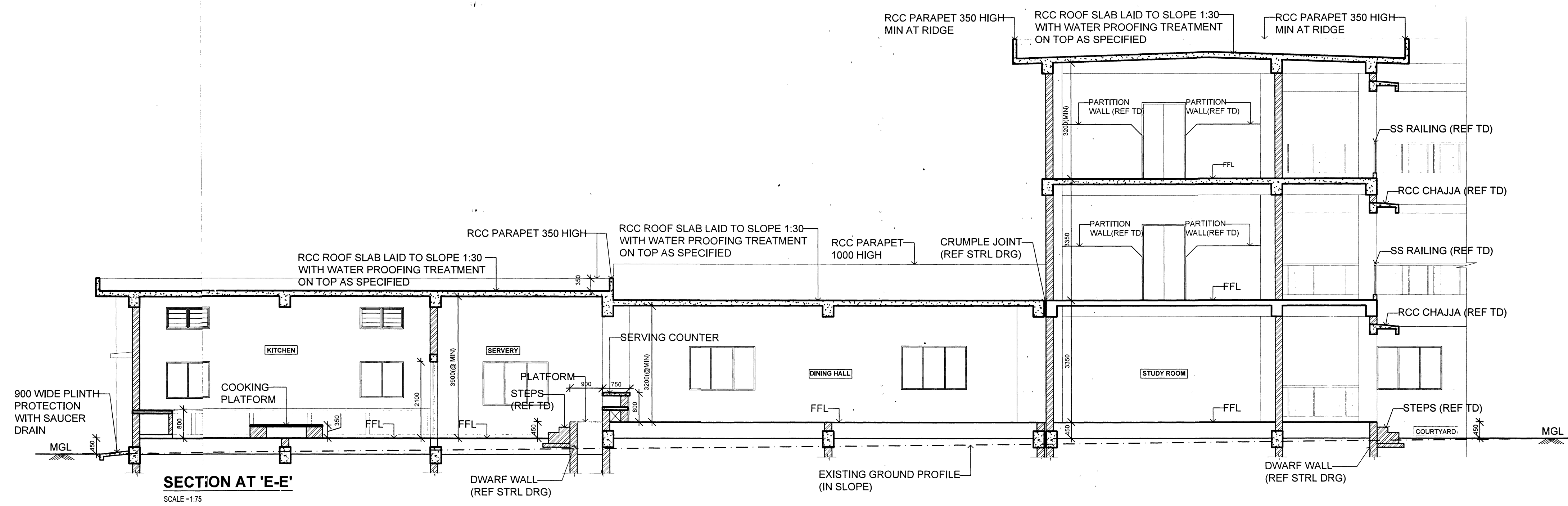
PARKING SHED FOR 50 SCOOTERS(04 BLOCKS)

PLAN, ROOF PLAN, SECTION AND ELEVATIONS

DRN. - <i>Chub Rakesh Mahamunkar</i>	CHIEF ENGINEER PUNE ZONE PUNE	DATE : 13 APR 2026
TCD. -		SCALE : AS SHOWN
CKD. -		

<i>Sharma</i> AAD (ARCH)	<i>Wharade</i> JT DIR (ARCH)	DIRECTOR (ARCH) FOR CHIEF ENGINEER
DRG. NO.- CEPZ / 2026 / ANR /04(A)		SHT. NO.- 1/1

NOTES



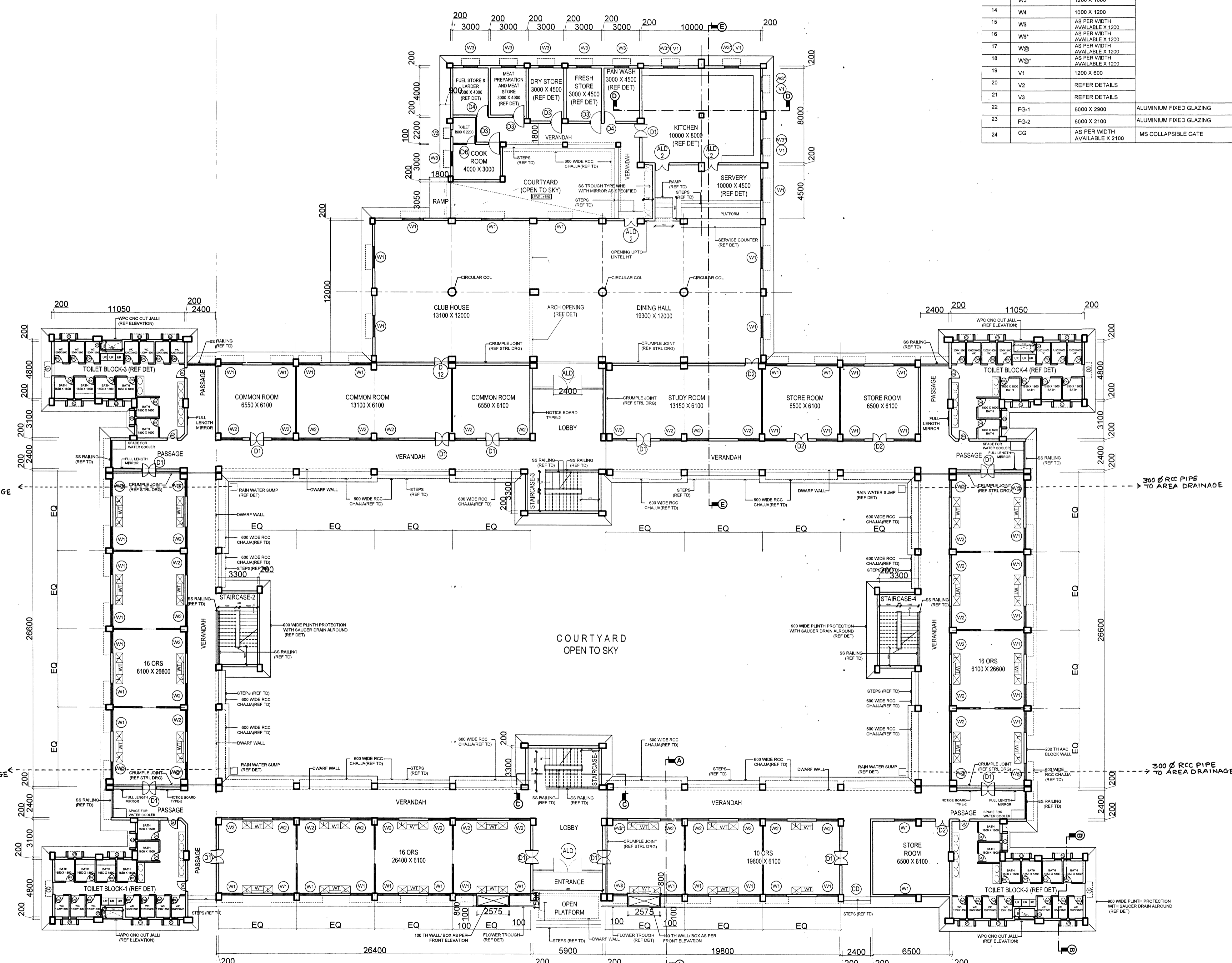
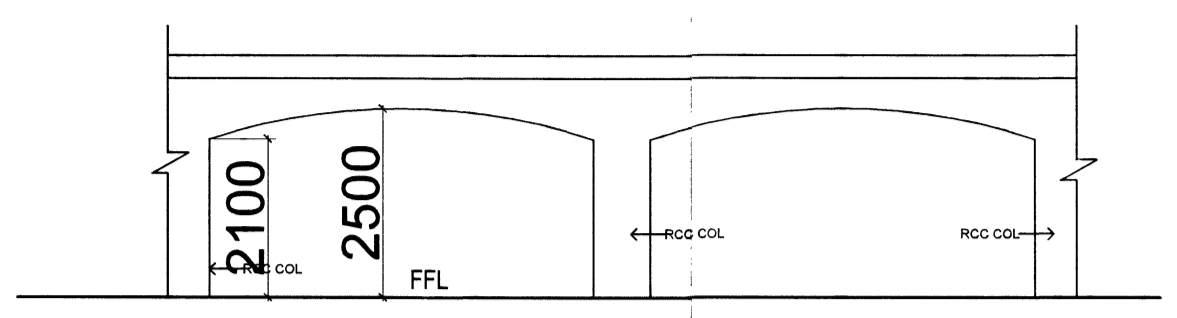
No.	DESCRIPTION	Date	SIGN
	Revision		
Project Name			
PROVN OF SINGLEMAN ACCOMMODATION FOR 250 X AGNIVEERS IN DRIVING & MAINTENANCE REGIMENT AT ACC & S AHMEDNAGAR.			
SINGLE LIVING ACCN FOR 250 AGNIVEER, DINING HALL AND COOK HOUSE			
SECTION AT 'A-A', 'B-B' & 'E-E'			
DATE	13-APR-2026	CHIEF ENGINEER	SHT NO
DRN		PUNE ZONE	4
SCALE	AS SHOWN		8
DRG NO:-CEPZ/2026/ANR/04			
AAD (ARCH)	JT. DIR (ARCH)	DIRECTOR (ARCH) FOR CHIEF ENGR	

NOTES

- FOR NOTES REFER TO DRG No. CEPZ/2024/TD/03, SHT No. 1/1.
- DRAPERY ROD (AS SPECIFIED) TO BE PROVIDED TO ALL DOOR, WINDOWS, TO ALL ROOMS EXCEPT FOR FOLLOWING ROOMS/SPACE, UNLESS SPECIFIED.
* TOILET INCLUDING WC, BATH, KITCHEN, STORE ROOMS.
- LIST OF BUILT-IN FURNITURE TO BE PROVIDED (LOCATION AS DECIDED BY ENGINEER-IN-CHARGE):-
(a) 10 BOOK SHELVES.
(b) 24 RACKS
(c) 01 BOARD NOTICE

SER No.	NOMENCLATURE	DIMENSIONS	DESCRIPTION	WITH/WITHOUT FLY PROOFING	REMARKS
1	ALD-1	2400 X 2100	ALUMINIUM DOOR	WITH OUT MOSQUITO / FLY PROOF SHUTTER	
2	ALD-2	1200 X 2100	ALUMINIUM DOOR	WITH OUT MOSQUITO / FLY PROOF SHUTTER	CEPZ/911/TD/17M, SHT No. 1/2 & 2/2.
3	D1	1200 X 2100	WPC DOOR WITH WPC FRAME AS SPECIFIED	WITH MOSQUITO / FLY PROOF SHUTTER	
4	D2	1200 X 2100	WPC DOOR WITH WPC FRAME AS SPECIFIED	WITH OUT MOSQUITO / FLY PROOF SHUTTER	
5	D3	1000 X 2100	WPC DOOR WITH WPC FRAME AS SPECIFIED	WITH MOSQUITO / FLY PROOF SHUTTER	ALONG WITH ALL NECESSARY HARDWARE AND FITTINGS AS SPECIFIED
6	D4	1000 X 2100	WPC DOOR WITH WPC FRAME AS SPECIFIED	WITH OUT MOSQUITO / FLY PROOF SHUTTER	
7	D5	900 X 2100	WPC DOOR WITH WPC FRAME AS SPECIFIED	WITH OUT MOSQUITO / FLY PROOF SHUTTER	
8	D6	750 X 2100	WPC DOOR WITH WPC FRAME AS SPECIFIED	---	
9	W1	1800 X 1200	---	WITH MOSQUITO / FLY PROOF SHUTTER	
10	W1*	1800 X 1200	ROLLED FORMED GI COLOUR COATED STEEL WINDOWS & VENTILATORS WITH GLAZED SHUTTER, MOSQUITO / FLY PROOF SHUTTER & GUARD BARS	WITH OUT MOSQUITO / FLY PROOF SHUTTER	
11	W2	1800 X 1200	---	WITH PROVISION FOR DESERT COOLERS	
12	W3	1200 X 1200	---	WITH MOSQUITO / FLY PROOF SHUTTER	
13	W3*	1200 X 1000	---	WITH MOSQUITO / FLY PROOF SHUTTER	CEPZ/2016/TD/03, SHT No. 1R/3 TO 3R/3
14	W4	1000 X 1200	---	WITH MOSQUITO / FLY PROOF SHUTTER	
15	W5	AS PER WIDTH AVAILABLE X 1200	---	WITH MOSQUITO / FLY PROOF SHUTTER	
16	W5*	AS PER WIDTH AVAILABLE X 1200	---	WITH PROVISION FOR DESERT COOLERS	
17	W6	AS PER WIDTH AVAILABLE X 1200	---	WITH MOSQUITO / FLY PROOF SHUTTER	
18	W6*	AS PER WIDTH AVAILABLE X 1200	---	WITH PROVISION FOR DESERT COOLERS	
19	V1	1200 X 600	---	---	
20	V2	REFER DETAILS	---	---	
21	V3	REFER DETAILS	---	---	
22	FG-1	6000 X 2800	ALUMINIUM FIXED GLAZING	---	
23	FG-2	6000 X 2100	ALUMINIUM FIXED GLAZING	---	
24	CG	AS PER WIDTH AVAILABLE X 2100	MS COLLAPSIBLE GATE	---	AS PER MANUFACTURER

ELEVATION OF ARCH OPENING IN BETWEEN CLUB HOUSE & DINING HALL



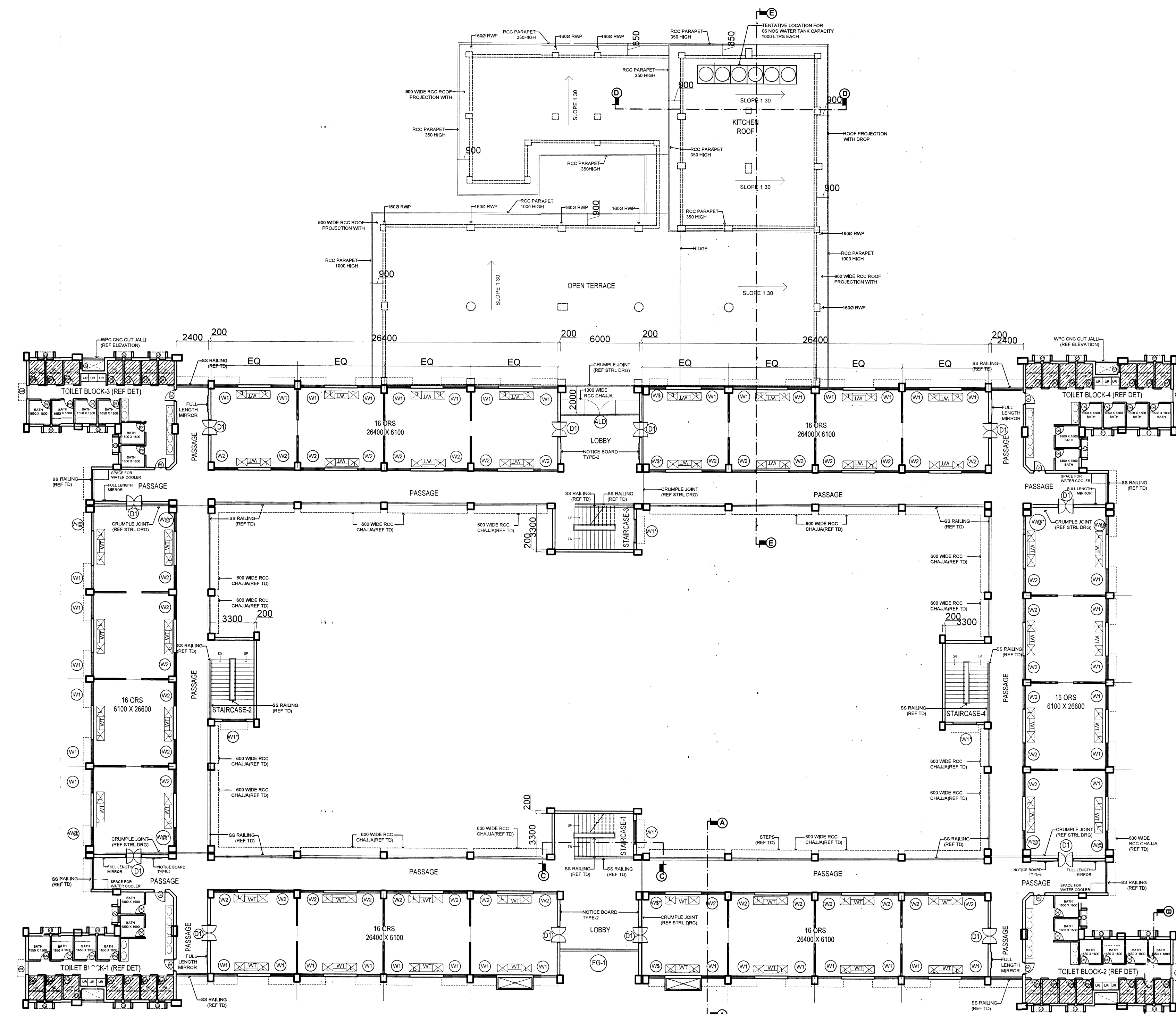
GROUND FLOOR PLAN
SCALE=1:200

LEGEND
L-LOCKER
WT-WRITING TABLE

No.	DESCRIPTION	Date	SIGN
	Revision		
Project Name			
PROVN OF SINGLEMAN ACCOMMODATION FOR 250 X AGNIVEERS IN DRIVING & MAINTENANCE REGIMENT AT ACC & S AHMEDNAGAR.			
SINGLE LIVING ACCN FOR 250 AGNIVEER, DINING HALL AND COOK HOUSE			
GROUND FLOOR PLAN			
DATE	13-APR-2026	CHIEF ENGINEER	SHT NO
DRN		PUNE ZONE	1
SCALE	1:200		8
DRG NO:-CEPZ/2026/IANR/04			
AAD (ARCH)		JT. DIR (ARCH)	DIRECTOR (ARCH) FOR CHIEF ENGR

NOTES

- FOR NOTES REFER TO DRG No. CEPZ/2024/TD/03, SHT No. 1/1.
- DRAPERY ROD (AS SPECIFIED) TO BE PROVIDED TO ALL DOOR, WINDOWS, TO ALL ROOMS EXCEPT FOR FOLLOWING ROOMS/SPACE, UNLESS SPECIFIED.
- *TOILET INCLUDING WC, BATH, KITCHEN, STORE ROOMS.



FIRST FLOOR PLAN
SCALE = 1:200

SUNKEN FLOOR SHOWN AS

DESCRIPTION	DATE	SIGN
No. Revision		
Project Name		

PROVN OF SINGLEMAN ACCOMMODATION FOR 250 X AGNIVEERS IN DRIVING & MAINTENANCE REGIMENT AT ACC & S AHMEDNAGAR.

SINGLE LIVING ACCN FOR 250 AGNIVEER, DINING HALL AND COOK HOUSE

FIRST FLOOR PLAN

DATE: 13-APR-2026	CHIEF ENGINEER	SHT NO
DRN:		
SCALE: 1:200	PUNE ZONE	8
DRG NO:-CEPZ/2026/ANR/04		

AAD (ARCH)
 JT. DIR (ARCH)
 DIRECTOR (ARCH) FOR CHIEF ENGR